

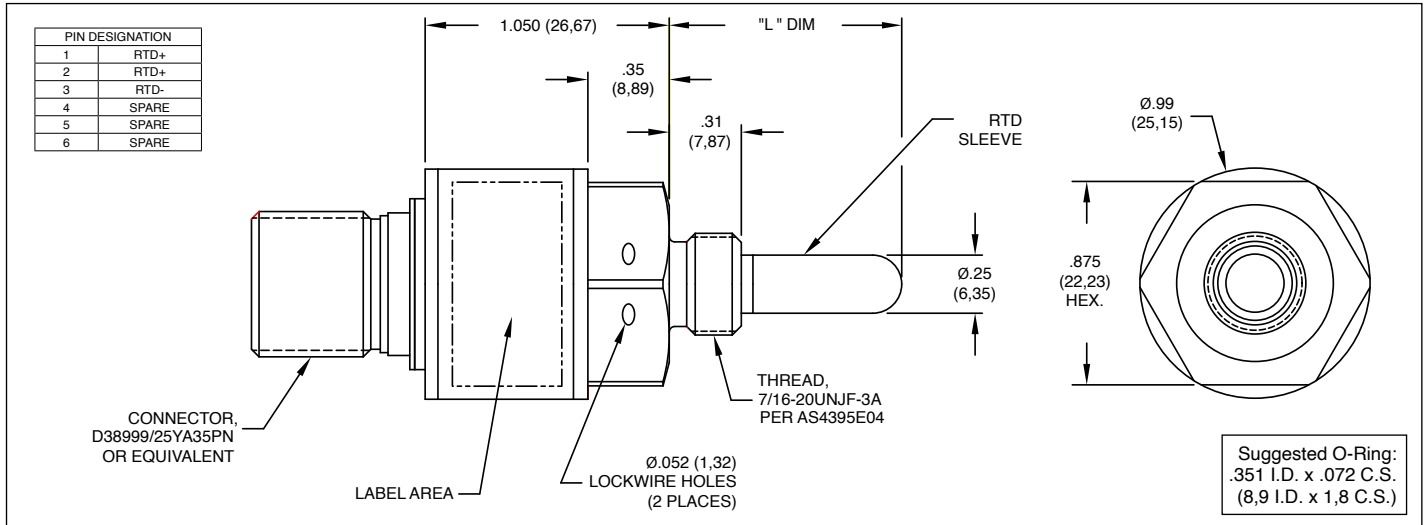


## AIRCRAFT TEMPERATURE SENSOR

### ATS-42(X)-1000(L) SERIES

- Aerospace Quality Components
- Robust Construction
- Excellent Long Term Stability
- Fast Response Time
- Excellent For High Vibration and Thermal Shock
- Low Self Heating
- High Reliability

The ATS-42(X)-1000(L) utilizes a thin film platinum temperature sensor which provides a short response time as well as high accuracy and long-term stability over a wide temperature range.



SPECIFICATIONS	
Temperature Range	-65°F to +250°F (-55°C to +120°C)
Pressure Range	3000 PSI (207 Bar) Max
Media	Any Fluid Compatible With 15-5 and 316 Stainless Steel
Sensing Principle	Thin Film Platinum Class A RTD Per DIN EN 60751 (IEC 751) Temperature Coefficient .00385 Ω/Ω°C
Probe Length (L)	(- 1) .844 (21,4) (- 2) 1.00 (25,4) (- 3) 1.270 (32,3)
Nominal Resistance at 0°C (32°F)(X)	(A) - 1000 Ohms (B) - 500 Ohms (C) - 100 Ohms
Excitation	1mA (2mA Max.)
Insulation Resistance	100 Megohm Min. @ 50 VDC
Accuracy	±1.8°F (1°C) (Typ.)
Response Time	65% Response Time 10 Seconds in Liquid
Steady Acceleration and Linear Vibration	20g Peak, Sine 10 to 2000 Hz
Electrical Connection	D38999/25YA35PN Series Connector or Equivalent
Weight	70 Grams (Nom.)
Mounting Torque	75 Inch-Pounds (Max.) 8.5 Nm

Note: Dimensions are in inches. Dimensions in parenthesis are in millimeters. All dimensions nominal. Continuous development and refinement of our products may result in (A) specification changes without notice. Copyright © 2024 Kulite Semiconductor Products, Inc. All Rights Reserved.