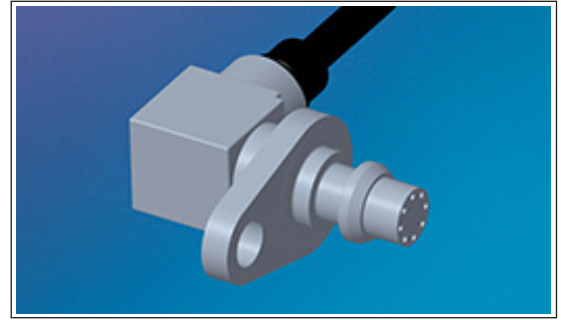




# FLANGE MOUNT ULTRAMINIATURE 5V OUTPUT PRESSURE TRANSDUCER WITH INTEGRATED TEMPERATURE SENSOR

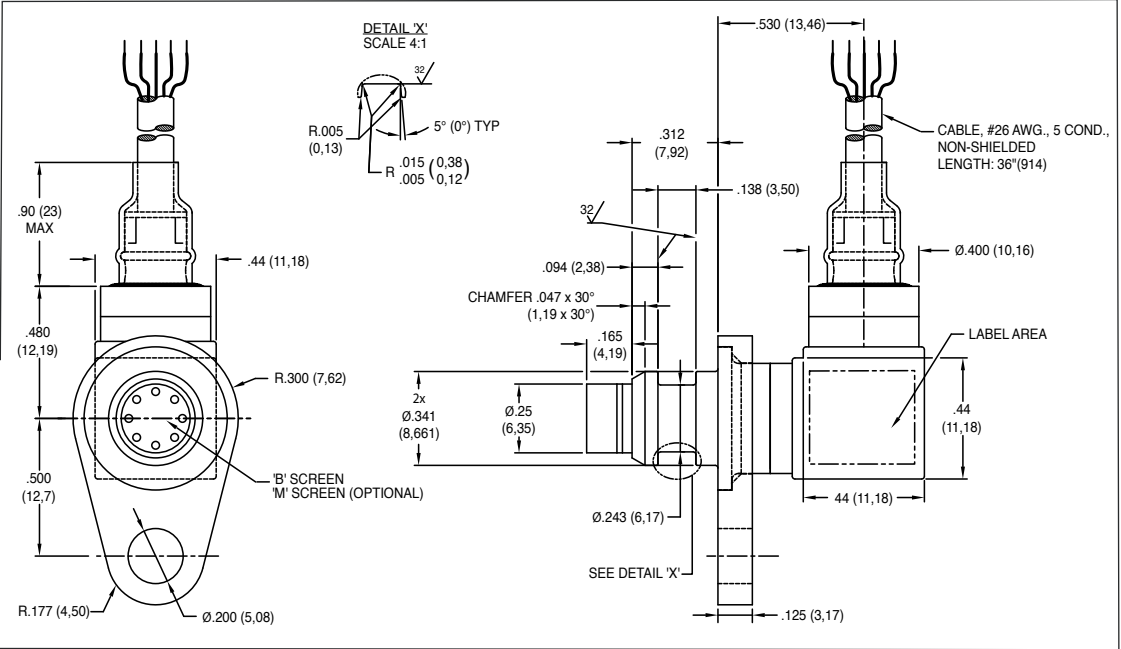
## KZSM/T-400R SERIES

- Combined Pressure and Temperature Capability
- Robust Construction
- Excellent Long Term Stability
- Patented Leadless Technology VIS®
- Designed For Industrial And Automotive Applications



The KZSM/T-400R is a miniature flange mount pressure transducer/platinum RTD combination. The pressure transducer utilizes a patented silicon on silicon design. The integrated platinum RTD is used to sense media temperature. The pressure and temperature devices are designed to operate independently. All wetted parts of the transducer are compatible with most automotive fluids.

For Installation Drawing, refer to **Installation Standard Series, Page 3.**



WIRING	
RED	+ IN
BLACK	COMMON
GREEN	+ OUT
WHITE	TEMP. OUT
BLUE	TEMP. OUT

	10	20	50	100	250	350 BAR
Pressure Range	145	290	725	1450	3625	5075 PSI
Operational Mode	Absolute, Sealed Gage					
Over Pressure	1.5 Times Rated Pressure to a Maximum of 7500 PSI (517 BAR)					
Burst Pressure	3 Times Rated Pressure to a Maximum of 7500 PSI (517 BAR)					
Pressure Media	Any Liquid or Gas Compatible with 15-5 S/S, 316 SS, Inconel 625 and Kovar					
Maximum Electrical Current	25 mA					
Rated Electrical Excitation	8 to 16 VDC					
RTD Excitation	0.3mA (1mA Max.)					
Full Scale Reading	4.5V ± 1.5% (3 Wire System Single Ended Output)					
Residual Unbalance	0.5V ± 75mV					
Output Impedance	<1000 Ohms					
RTD	1000 Ohms Platinum, DIN EN 60751 Tables, Class A (65% Response Time 8.6 Seconds Max.) in Liquid					
Bandwidth (-3dB)	DC to 3 KHz					
Combined Non-Linearity, Hysteresis and Repeatability	± 0.1% BFSL (Typ.), ± 0.25% BFSL (Max.)					
Resolution	Infinitesimal					
Insulation Resistance	100 Megohm Min. @ 50 VDC					
Operating Temperature Range	-67°F to +365°F (-55°C to +185°C)					
Compensated Temperature Range	+68°F to +347°F (+20°C to +175°C)					
Total Error Band (Excluding End Points)	± 1% FSO (Max.)					
Linear Vibration	50g Peak, Sine 130-5000 Hz. (Max.)					
Mechanical Shock	20g half Sine Wave 11 msec. Duration					
Electrical Connection	5 Conductor 26 AWG Non-Shielded Cable 36" (914) Long					
Weight	15 Grams (Nom) Excluding Cable					
Pressure Sensing Principle	Fully Active Four Arm Wheatstone Bridge Dielectrically Isolated Silicon on Silicon					

Note: Custom pressure ranges, accuracies, mechanical configurations and RTD resistance available. Dimensions are in inches. Dimensions in parenthesis are in millimeters. All dimensions nominal. (B) Continuous development and refinement of our products may result in specification changes without notice. Copyright © 2023 Kulite Semiconductor Products, Inc. All Rights Reserved. Kulite miniature pressure transducers are intended for use in test and research and development programs and are not necessarily designed to be used in production applications. For products designed to be used in production programs, please consult the factory.