

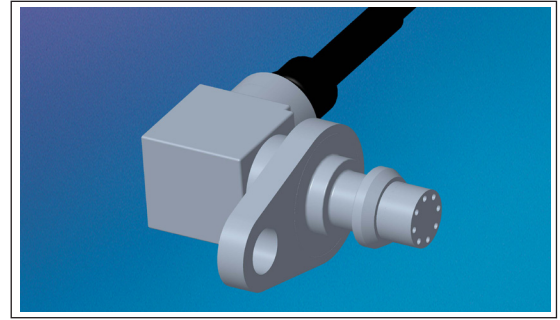


FLANGE MOUNT ULTRAMINIATURE 5V OUTPUT PRESSURE TRANSDUCER

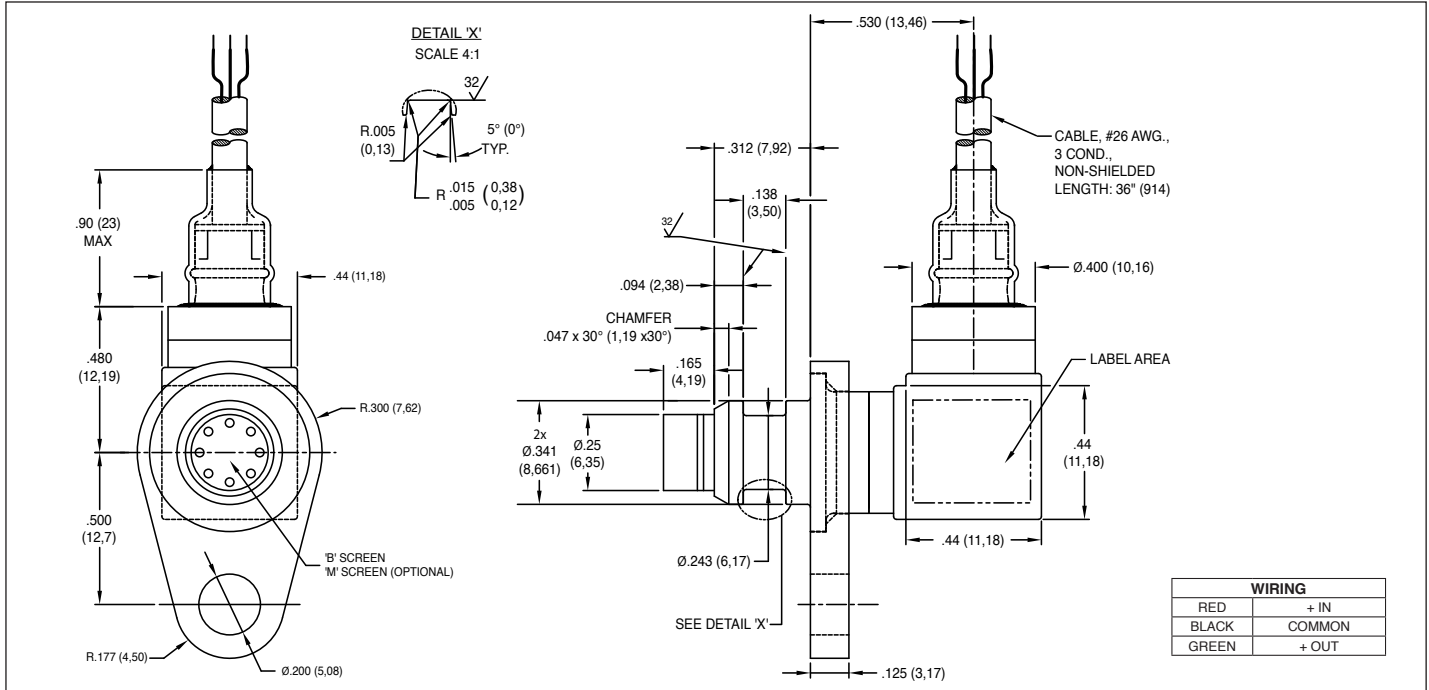
KZSM-400R SERIES

- Robust Construction
- Excellent Long Term Stability
- Designed For Industrial And Automotive Applications

The KZSM-400R is a miniature flange mount pressure transducer. The pressure transducer utilizes a patented silicon on silicon design. All wetted parts of the transducer are compatible with most automotive fluids.



For Installation Drawing, refer to **Installation Standard Series**, Page 3.



INPUT	Pressure Range	10 145	20 290	50 725	100 1450	250 3625	350 BAR 5075 PSI
	Operational Mode	Absolute, Sealed Gage					
	Over Pressure	1.5 Times Rated Pressure to a Maximum of 7500 PSI (517 BAR)					
	Burst Pressure	3 Times Rated Pressure to a Maximum of 7500 PSI (517 BAR)					
	Pressure Media	Any Liquid or Gas Compatible with 15-5 S/S, 316 SS, Inconel 625 and Kovar					
	Maximum Electrical Current	25 mA					
	Rated Electrical Excitation	8 to 16 VDC					
OUTPUT	Full Scale Reading	4.5V ± 1.5% (3 Wire System Single Ended Output)					
	Residual Unbalance	0.5V ± 75mV					
	Output Impedance	<1000 Ohms					
	Bandwidth (-3dB)	DC to 3 KHz					
	Combined Non-Linearity, Hysteresis and Repeatability	± 0.1% BFSL (Typ.), ± 0.25% BFSL (Max.)					
ENVIRONMENTAL	Resolution	Infinitesimal					
	Insulation Resistance	100 Megohm Min. @ 50 VDC					
	Operating Temperature Range	-67°F to +365°F (-55°C to +185°C)					
	Compensated Temperature Range	+68°F to +347°F (+20°C to +175°C)					
	Total Error Band (Excluding End Points)	± 1% FSO (Max.)					
PHYSICAL	Linear Vibration	50g Peak, Sine 130-5000 Hz. (Max.)					
	Mechanical Shock	20g half Sine Wave 11 msec. Duration					
	Electrical Connection	3 Conductor 26 AWG Non-Shielded Cable 36" (914) Long					
	Weight	15 Grams (Nom) Excluding Cable					
Pressure Sensing Principle	Fully Active Four Arm Wheatstone Bridge Dielectrically Isolated Silicon on Silicon						

Note: Custom pressure ranges, accuracies, mechanical configurations. Dimensions are in inches. Dimensions in parenthesis are in millimeters. All dimensions nominal. (B) Continuous development and refinement of our products may result in specification changes without notice. Copyright © 2023 Kulite Semiconductor Products, Inc. All Rights Reserved. Kulite miniature pressure transducers are intended for use in test and research and development programs and are not necessarily designed to be used in production applications. For products designed to be used in production programs, please consult the factory.