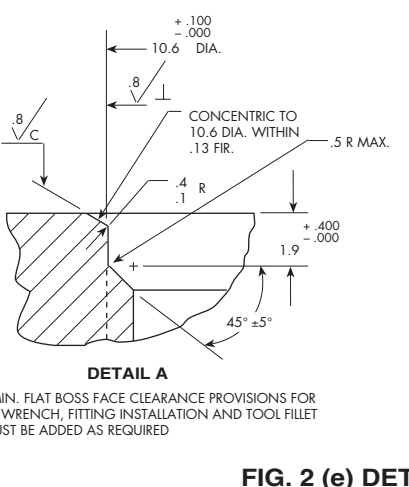
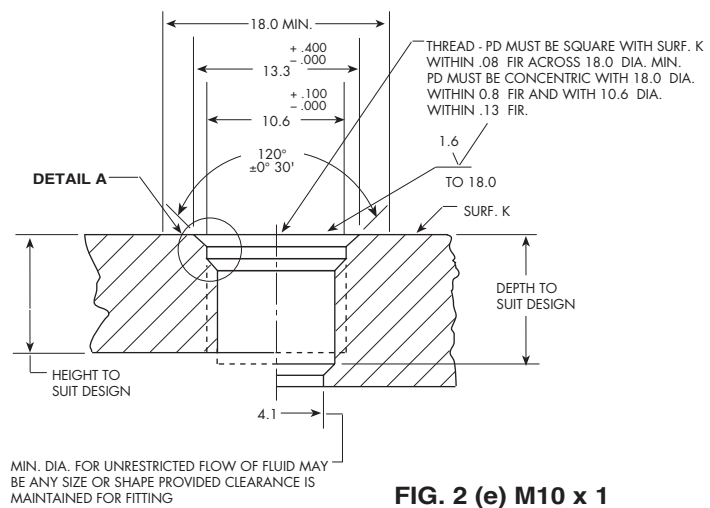
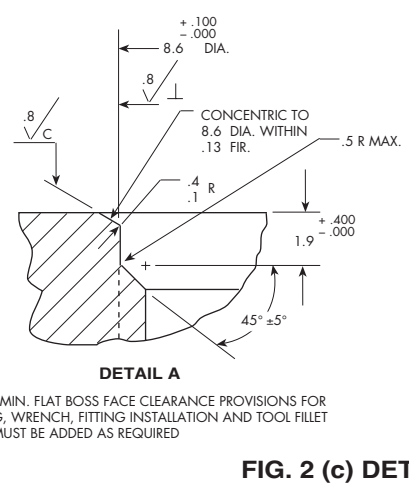
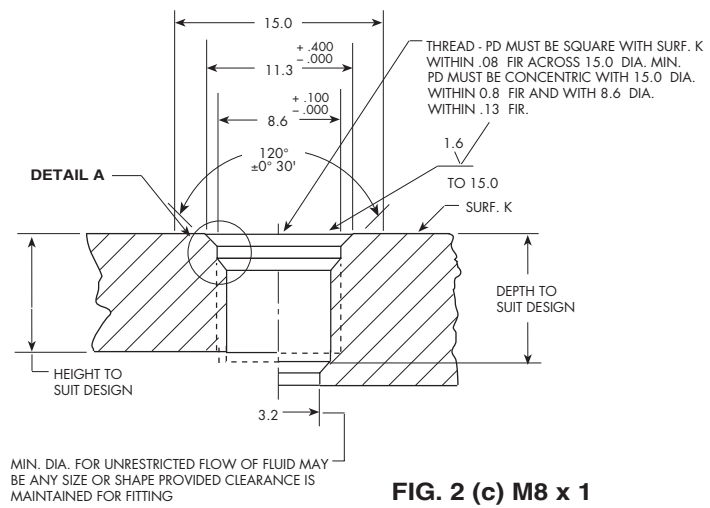
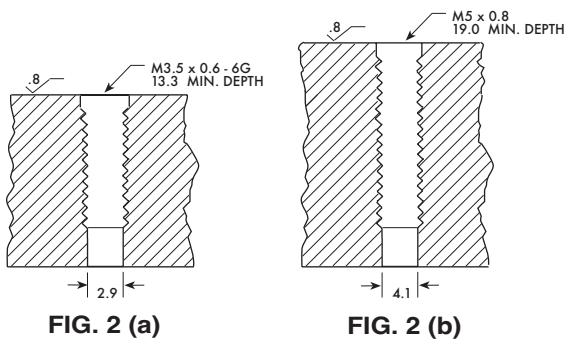
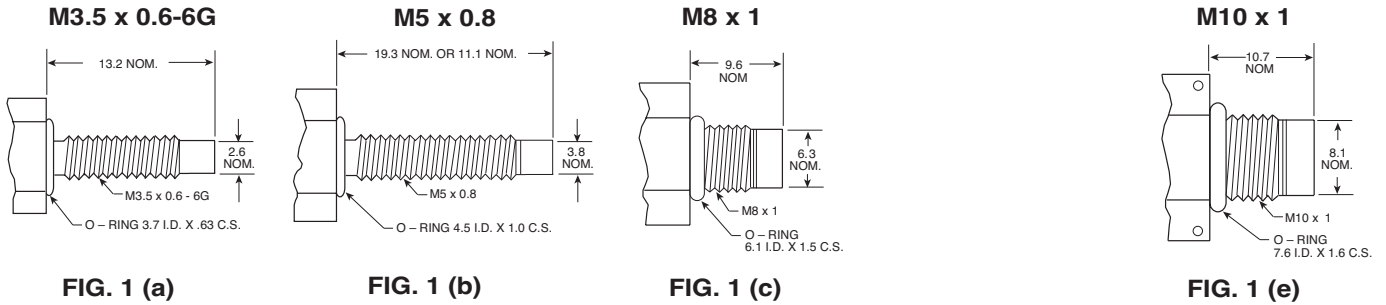


METRIC INSTALLATION OF MINIATURE THREADED SERIES TRANSDUCERS



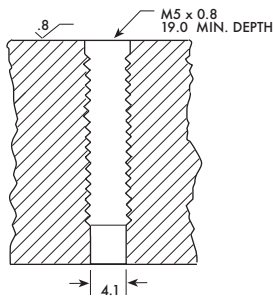
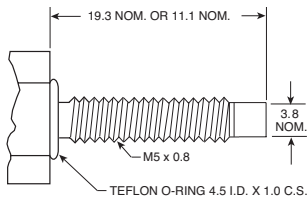
For proper mounting of Figures 1(e), an ISO7320 port is required. The detail for this port is shown in Fig. 2 (e) and Fig. 2 (e) Detail. Mounting torque for the transducers is listed below.

M3.5 x 0.6-6G	M5 x 0.8	M8 x 1	M10 x 1	M10 x 1
1.7 Nm (Max.)	1.7 Nm (Max.)	8.5Nm (Max.)	9-13.5 Nm	9-13.5 Nm

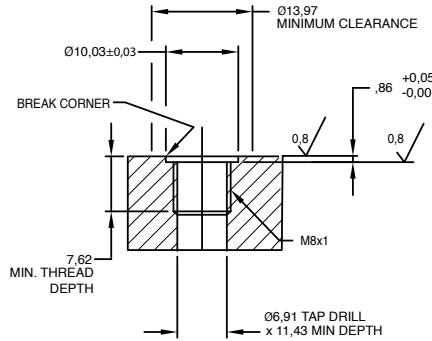
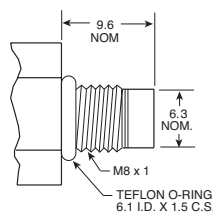
METRIC INSTALLATION OF MINIATURE THREADED SERIES TRANSDUCERS

CRYOGENIC SERIES

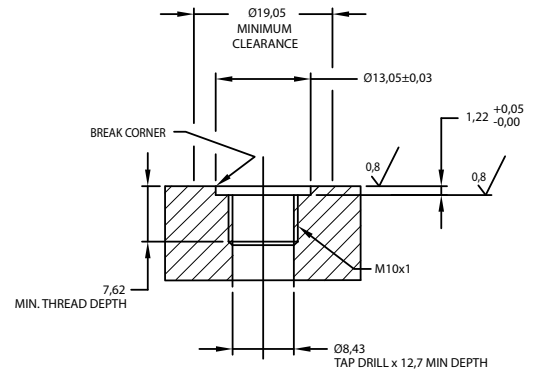
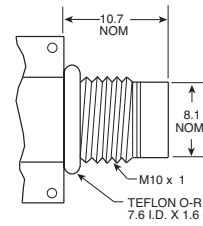
CTL-190M
M5X0,8



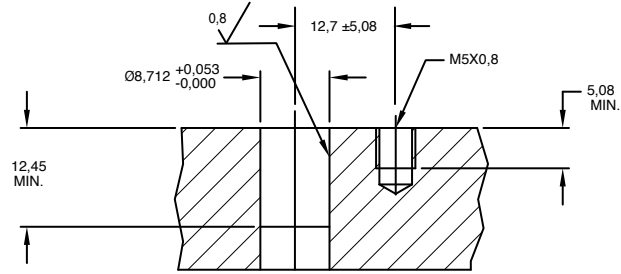
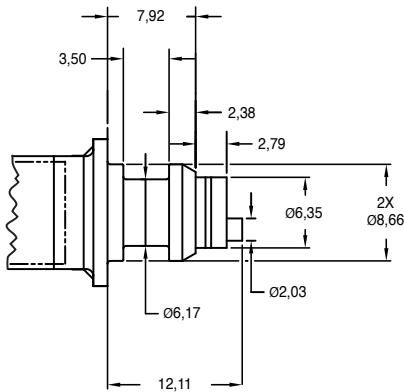
CTL-312M
M8X1



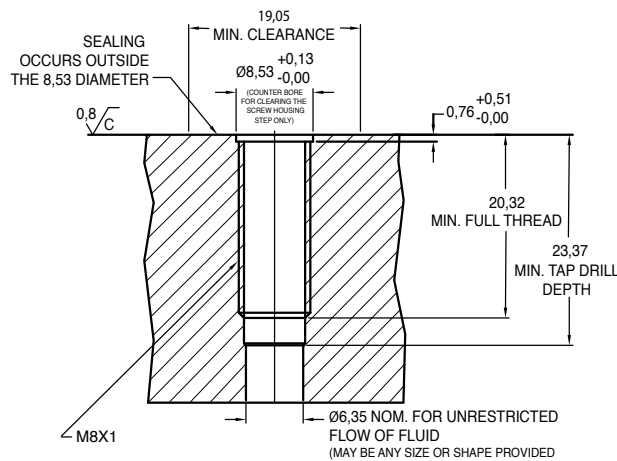
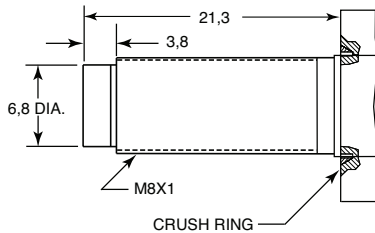
CTL-375M
M10X1



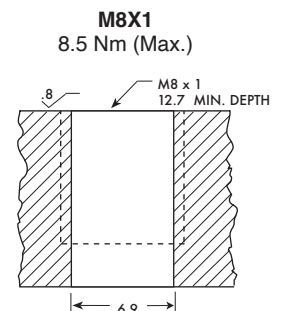
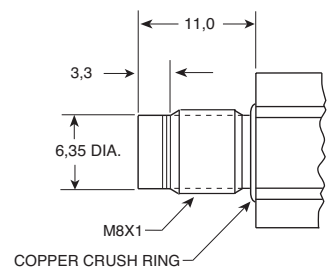
KZS SERIES



(E)WCT(V)-312



ETL-GTS



(L)