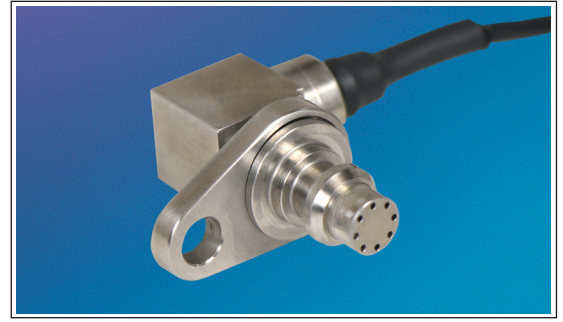




# FLANGE MOUNT ULTRAMINIATURE 5V OUTPUT PRESSURE TRANSDUCER WITH INTEGRATED TEMPERATURE SENSOR

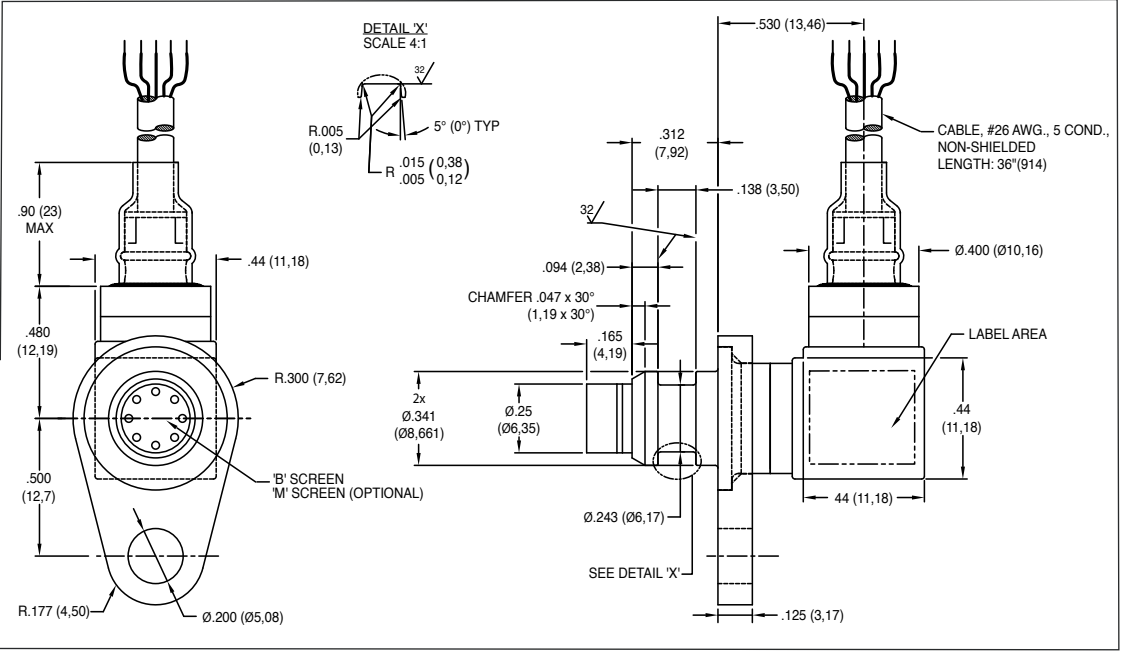
## KZSM/T-400R SERIES

- Combined Pressure and Temperature Capability
- Robust Construction
- Excellent Long Term Stability
- Patented Leadless Technology VIS®
- Designed For Industrial And Automotive Applications
- Internal RTD



The KZSM/T-400R is a miniature flange mount pressure transducer/platinum RTD combination. The pressure transducer utilizes a patented silicon on silicon design. The integrated platinum RTD is used to sense media temperature. The pressure and temperature devices are designed to operate independently. All wetted parts of the transducer are compatible with most automotive fluids.

For Installation Drawing, refer to **Installation Standard Series, Page 3.**



WIRING	
RED	+ IN
BLACK	COMMON
GREEN	+ OUT
WHITE	TEMP. OUT
BLUE	TEMP. OUT

Suggested O-Ring:  
.208 I.D. x .070 C.S.  
(Not Supplied by Kulite)  
Suggested Back-Up Ring:  
.234 I.D. x .340 O.D. x .053 Wide  
(Not Supplied by Kulite)

	15	20	50	100	250	350 BAR
	217	290	725	1450	3625	5075 PSI
<b>INPUT</b>	Absolute, Sealed Gage					
Pressure Range	2 Times Rated Pressure to 500 PSI (35 BAR) 1.5 Times Rated Pressure Above 500 PSI (35 BAR)					
Operational Mode	3 Times Rated Pressure to a Maximum of 7500 PSI (517 BAR)					
Over Pressure	Any Liquid or Gas Compatible with 15-5 S/S, 316 SS, Inconel 625 and Kovar					
Burst Pressure	25 mA					
Pressure Media	8 to 16 VDC					
Maximum Electrical Current	0.3mA (1mA Max.)					
Rated Electrical Excitation	4.5V ± 1.5% (3 Wire System Single Ended Output)					
RTD Excitation	0.5V ± 75mV					
Full Scale Reading	<1000 Ohms					
Residual Unbalance	1000 Ohms Platinum, DIN EN 60751 Tables, Class A (65% Response Time 8.6 Seconds Max.) in Liquid					
Output Impedance	DC to 3 KHz					
RTD	± 0.1% BFSL (Typ.), ± 0.25% BFSL (Max.)					
Bandwidth (-3dB)	Infinitesimal					
Combined Non-Linearity, Hysteresis and Repeatability	100 Megohm Min. @ 50 VDC					
Resolution	-67°F to +365°F (-55°C to +185°C)					
Insulation Resistance	+68°F to +347°F (+20°C to +175°C)					
Operating Temperature Range	± 1% FSO (Max.)					
Compensated Temperature Range	50g Peak, Sine 130-5000 Hz. (Max.)					
Total Error Band (Excluding End Points)	20g half Sine Wave 11 msec. Duration					
Linear Vibration	5 Conductor 26 AWG Non-Shielded Cable 36" (914) Long					
Mechanical Shock	15 Grams (Nom) Excluding Cable					
Electrical Connection	Fully Active Four Arm Wheatstone Bridge Dielectrically Isolated Silicon on Silicon					
Weight						
Pressure Sensing Principle						

Note: Custom pressure ranges, accuracies, mechanical configurations and RTD resistance available. Dimensions are in inches. Dimensions in parenthesis are in millimeters. All dimensions nominal. (D) Continuous development and refinement of our products may result in specification changes without notice. Copyright © 2023 Kulite Semiconductor Products, Inc. All Rights Reserved. Kulite miniature pressure transducers are intended for use in test and research and development programs and are not necessarily designed to be used in production applications. For products designed to be used in production programs, please consult the factory.