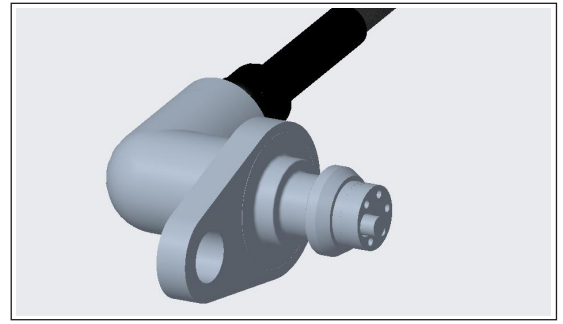




FLANGE MOUNT ULTRAMINIATURE 5V OUTPUT PRESSURE TRANSDUCER WITH INTEGRATED TEMPERATURE SENSOR

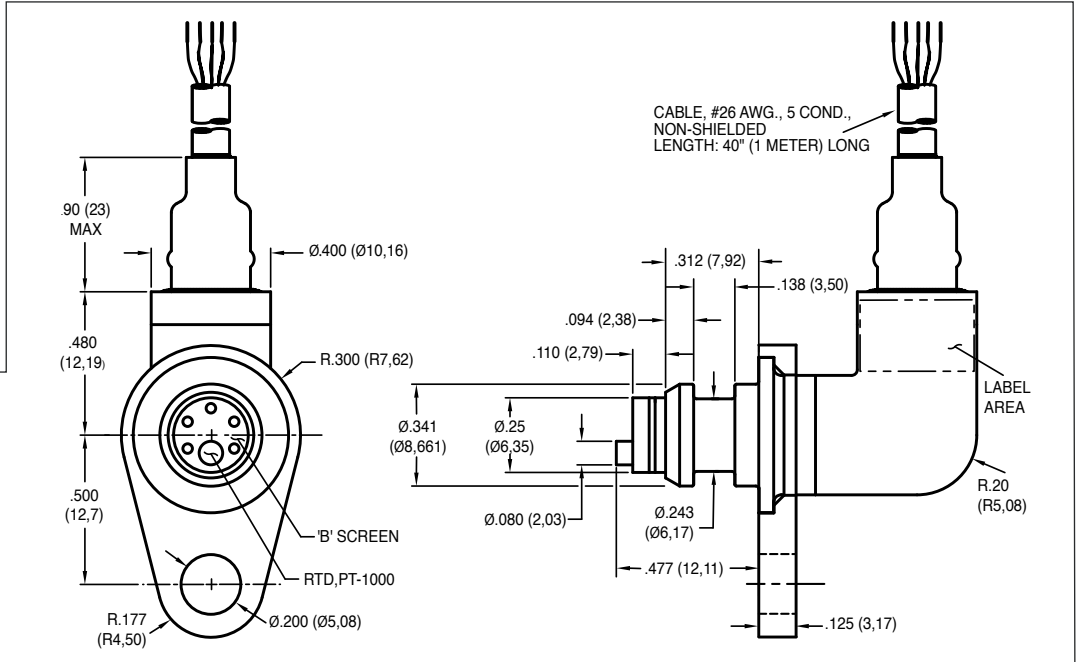
KZS-FL/T-400R SERIES

- Combined Pressure and Temperature Capability
- Robust Construction
- Excellent Long Term Stability
- Patented Leadless Technology VIS®
- Designed For Industrial And Automotive Applications



The KZS-FL/T-400R is a miniature flange mount pressure transducer/platinum RTD combination. The pressure transducer utilizes a patented silicon on silicon design. The platinum RTD protrudes beside the diaphragm to sense media temperature. The pressure and temperature devices are designed to operate independently. All wetted parts of the transducer are compatible with most automotive fluids.

Part performance not guaranteed if used in water. For Installation Drawing, refer to **Installation STD Series**, Page 2.



Suggested O-Ring:
 .208 I.D. x .070 C.S.
 (Not Supplied by Kulite)
 Suggested Back-Up Ring:
 .234 I.D. x .332 O.D. x .053 Wide

WIRING	
RED	+ IN
BLACK	COMMON
GREEN	+ OUT
WHITE	TEMP. OUT
BLUE	TEMP. OUT

INPUT	Pressure Range	10 145	15 217	20 290	250 3600	350 BAR 5075 PSI
	Operational Mode	Absolute, Sealed Gage				
	Over Pressure	2 Times Rated Pressure to 500 PSI (35 BAR) 1.5 Times Rated Pressure Above 500 PSI (35 BAR) to a Maximum of 7500 PSI (517 BAR)				
	Burst Pressure	3 Times Rated Pressure to a Maximum of 7500 PSI (517 BAR)				
	Pressure Media	Any Liquid or Gas Compatible with 15-5 S/S, Kovar and SiO ₂				
	Maximum Electrical Current	25 mA				
	Rated Electrical Excitation	8 to 16 VDC				
	RTD Excitation	0.3mA (1mA Max.)				
OUTPUT	Full Scale Reading	4.5V ± 1.5% (3 Wire System Single Ended Output)				
	Residual Unbalance	0.5V ± 75mV				
	Output Impedance	<1000 Ohms				
	RTD	1000 Ohms Platinum, DIN EN 60751 Tables, Class A (65% Response Time 3 Seconds Max.) in Liquid				
	Sensor Response Time	0.7 ms (Nom.)				
	Combined Non-Linearity, Hysteresis and Repeatability	± 0.1% BFS (Typ.), ± 0.25% BFS (Max.)				
ENVIRONMENTAL	Resolution	Infinitesimal				
	Insulation Resistance	100 Megohm Min. @ 50 VDC				
	Operating Temperature Range	-67°F to +365°F (-55°C to +185°C)				
	Compensated Temperature Range	+68°F to +347°F (+20°C to +175°C)				
	Total Error Band (Excluding End Points)	± 2% ≤ 217.5 PSI (15 BAR), ± 1% > 217.5 PSI (15 BAR)				
PHYSICAL	Linear Vibration	10-2,000 Hz Sine, 20g. (Max.)				
	Mechanical Shock	20g half Sine Wave 11 msec. Duration				
	Electrical Connection	5 Conductor 26 AWG Non-Shielded Cable 40" (1 Meter) Long				
Weight	15 Grams (Nom) Excluding Cable					
Pressure Sensing Principle	Fully Active Four Arm Wheatstone Bridge Dielectrically Isolated Silicon on Silicon Patented Leadless Technology					

Note: Custom pressure ranges, accuracies, mechanical configurations and RTD resistance available. Dimensions are in inches. Dimensions in parenthesis are in millimeters. All dimensions nominal. Continuous development and refinement of our products may result in specification changes without notice. Copyright © 2022 Kulite Semiconductor Products, Inc. All Rights Reserved. Kulite miniature pressure transducers are intended for use in test and research and development programs and are not necessarily designed to be used in production applications. For products designed to be used in production programs, please consult the factory.