

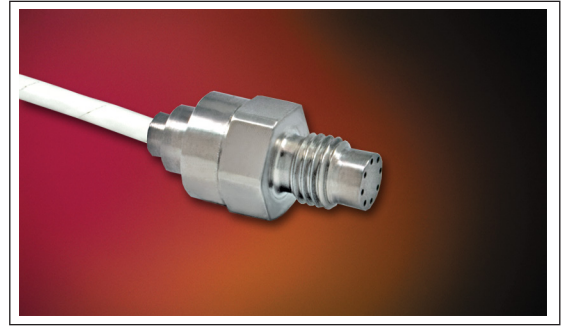


HIGH TEMPERATURE IS® PRESSURE TRANSDUCER

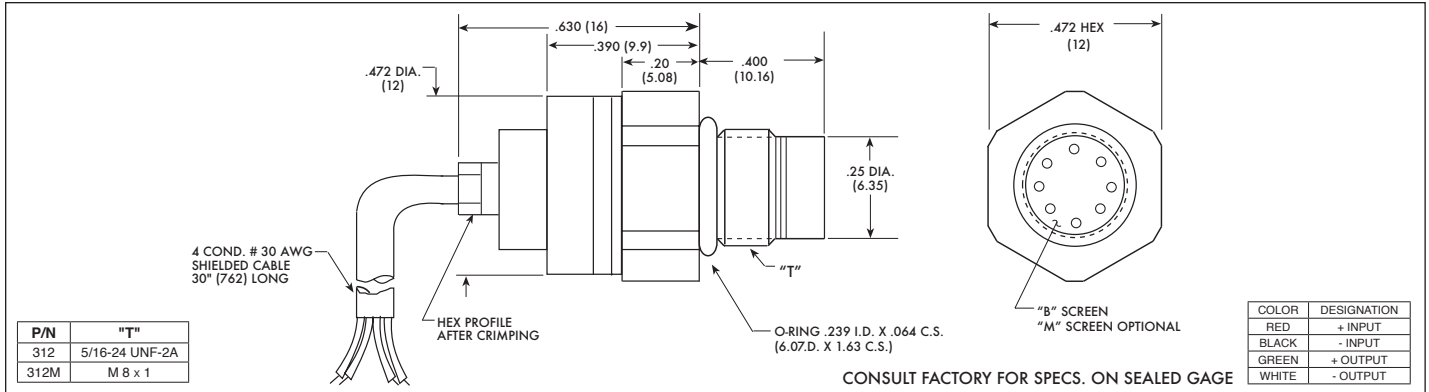
HEL-312 (M) SERIES

- Small Pressure Sensitive Area
- Patented Leadless Technology VIS®
- High Natural Frequency
- No Internal Lead Flexing
- Extra Low G Sensitivity
- -65°F To 525°F Temperature Capability

The ruggedness of this sensor has not compromised its performance. It was designed for ease of installation and will operate properly in any medium compatible with 15-5 SS or SiO₂. Coupled with high temperature, its Patented Leadless Construction makes it possible for the sensing unit to be installed in such a way that will not compromise its high natural frequency. Part performance not guaranteed if used in water.



Kulite recommends the **KSC Series** of signal conditioners to maximize the measurement capability of the HEL-312 transducer.



INPUT	Pressure Range	0.7 10	1.0 15	1.7 25	3.5 50	7 100	17 250	35 500	70 1000	140 2000	350 BAR 5075 PSI	
	Operational Mode	Absolute, Gage, Differential			Absolute, Gage, Sealed Gage, Differential			Absolute, Sealed Gage				
	Over Pressure	2 Times Rated Pressure to 500 PSI (35 BAR), 1.5 Times Rated Pressure Above 500 PSI (35 BAR) to a Maximum of 7500 PSI (517 BAR)										
	Burst Pressure	3 Times Rated Pressure to a Maximum of 7500 PSI (517 BAR)										
	Pressure Media	All Nonconductive, Noncorrosive Liquids or Gases (Most Conductive Liquids and Gases - Please Consult Factory)										
	Rated Electrical Excitation	10 VDC/AC										
	Maximum Electrical Excitation	12 VDC/AC										
OUTPUT	Input Impedance	1000 Ohms (Min.)										
	Output Impedance	1000 Ohms (Nom.)										
	Full Scale Output (FSO)	100 mV (Nom.)										
	Residual Unbalance	± 5 mV (Typ.)										
	Combined Non-Linearity, Hysteresis and Repeatability	± 0.1% FSO BFSL (Typ.), ± 0.5% FSO (Max.)										
	Resolution	Infinitesimal										
	Natural Frequency of Sensor Without Screen (KHz) (Typ.)	175	200	240	300	380	550	700	1000	1400	2100	
ENVIRONMENTAL	Acceleration Sensitivity % FS/g Perpendicular	1.0x10 ⁻³	6.5x10 ⁻⁴	5.0x10 ⁻⁴	3.0x10 ⁻⁴	1.5x10 ⁻⁴	1.0x10 ⁻⁴	6.0x10 ⁻⁵	4.5x10 ⁻⁵	2.0x10 ⁻⁵	1.5x10 ⁻⁵	
	Insulation Resistance	100 Megohm Min. @ 50 VDC										
	Operating Temperature Range	-65°F to +525°F (-55°C to +273°C)										
	Compensated Temperature Range	+80°F to +450°F (+25°C to +232°C)										
	Thermal Zero Shift	± 1% FS/100°F (Typ.)										
	Thermal Sensitivity Shift	± 1% /100°F (Typ.)										
	Linear Vibration	20g Peak, Sine 10 to 2000 Hz										
PHYSICAL	Mechanical Shock	20g Half Sine Wave 11 msec. Duration										
	Electrical Connection	4 Conductor 30 AWG Shielded Cable 30" Long										
	Weight	17 Grams (Max.) Excluding Cable										
	Pressure Sensing Principle	Fully Active Four Arm Wheatstone Bridge Dielectrically Isolated Silicon on Silicon Patented Leadless Technology										
Mounting Torque	50 Inch-Pounds (Max.) 6Nm											

Note: Custom pressure ranges, accuracies and mechanical configurations available. Dimensions are in inches. Dimensions in parenthesis are in millimeters. All dimensions nominal. (L) Continuous development and refinement of our products may result in specification changes without notice. Copyright © 2015 Kulite Semiconductor Products, Inc. All Rights Reserved. Kulite miniature pressure transducers are intended for use in test and research and development programs and are not necessarily designed to be used in production applications. For products designed to be used in production programs, please consult the factory.