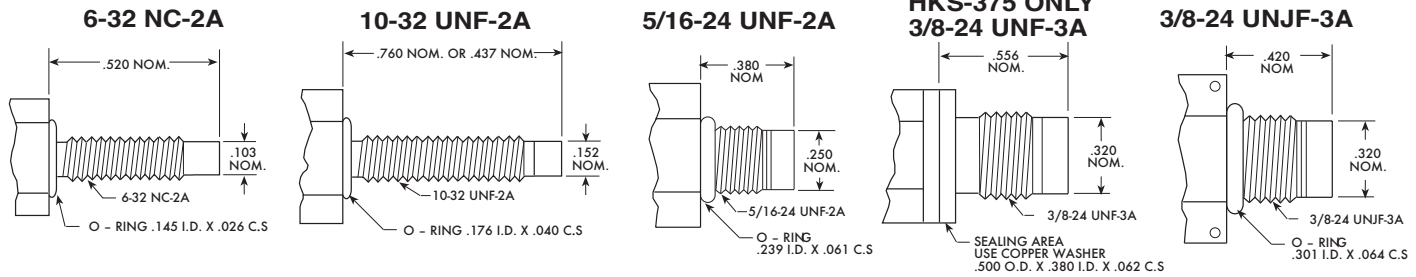


# INSTALLATION OF MINIATURE THREADED SERIES TRANSDUCERS



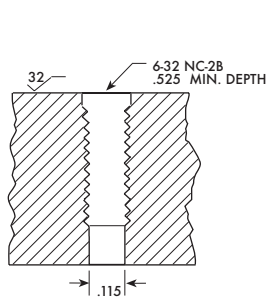
**FIG. 1 (a)**

**FIG. 1 (b)**

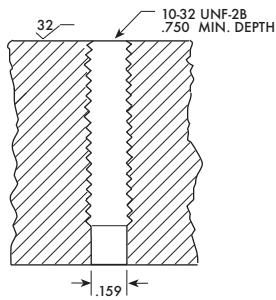
**FIG. 1 (c)**

**FIG. 1 (d)**

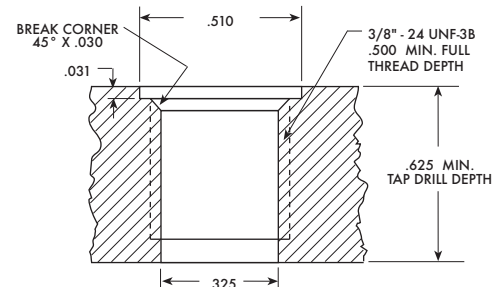
**FIG. 1 (e)**



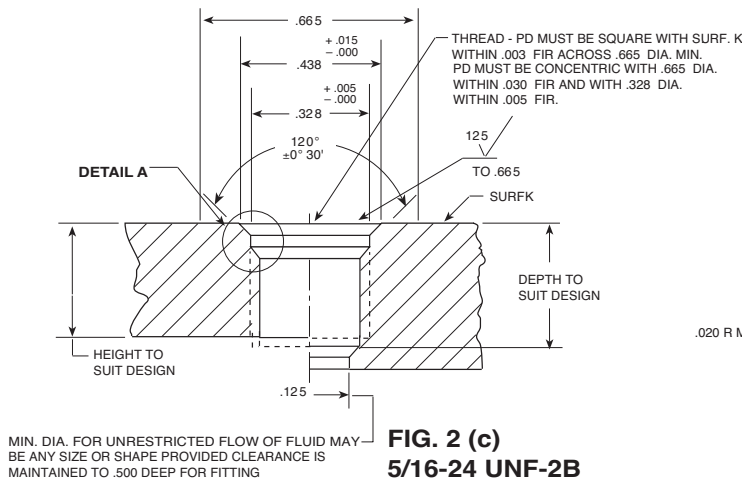
**FIG. 2 (a)**



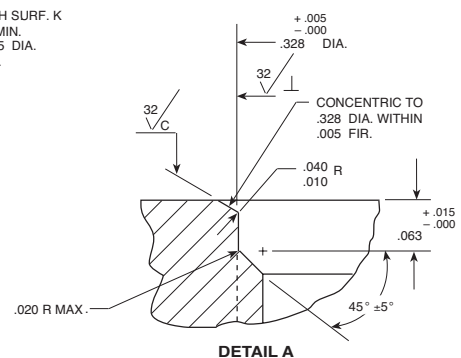
**FIG. 2 (b)**



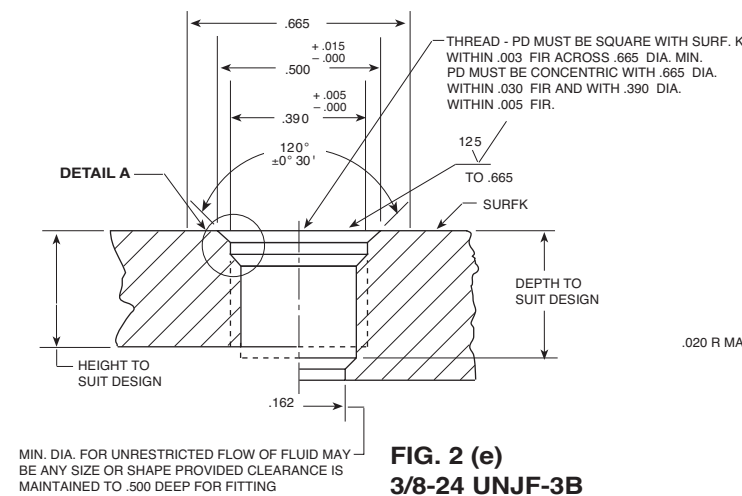
**FIG. 2 (d) HKS-375 ONLY**



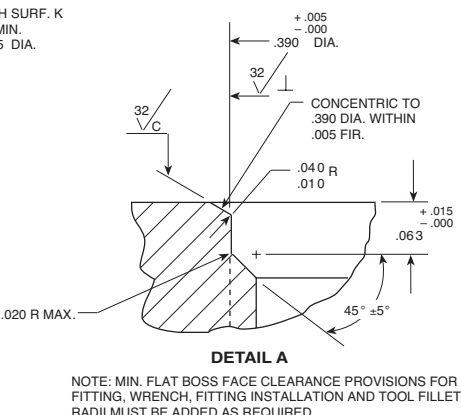
**FIG. 2 (c)  
 5/16-24 UNF-2B**



**FIG. 2 (c) DETAIL**



**FIG. 2 (e)  
 3/8-24 UNJF-3B**



**FIG. 2 (e) DETAIL**

For proper mounting of Figure 1 (e), an MS33649-3 port is required. The detail for this port is shown in Fig. 2 (e) and Fig. 2 (e) Detail. For convenience in machining, a contour cutter for MS33649 ports can be used to produce the required detail of the port and drill the pilot hole ready to be tapped. Mounting torque for the transducers is listed below.

**6-32 NC-2A**  
 15 Inch Pounds (Max.)

**10-32 UNF-2A**  
 15 Inch Pounds (Max.)

**5/16-24 UNF-2A**  
 75 Inch pounds (Max.)

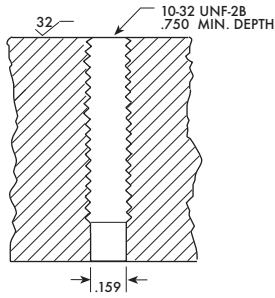
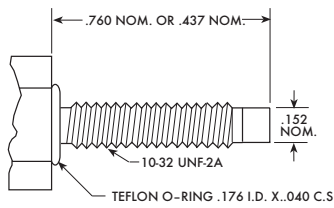
**HKS-375 ONLY  
 3/8-24 UNF-3A**  
 80-120 Inch Pounds

**3/8-24 UNJF-3A**  
 80-120 Inch Pounds (G)

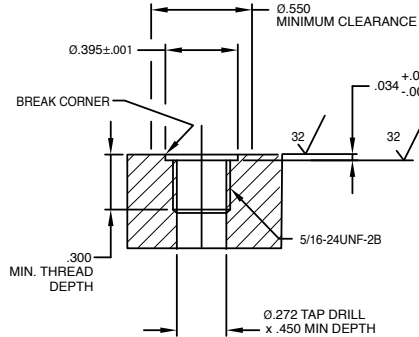
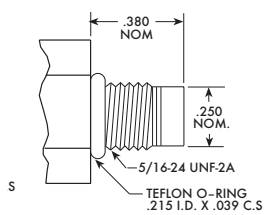
# INSTALLATION OF MINIATURE THREADED SERIES TRANSDUCERS

## CRYOGENIC SERIES

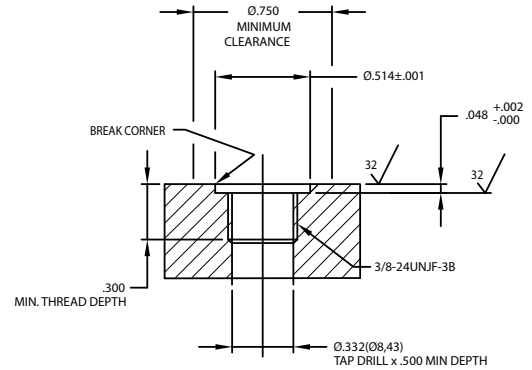
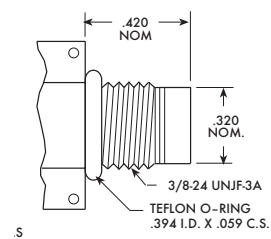
**CTL-190**  
**10-32 UNF-2A**



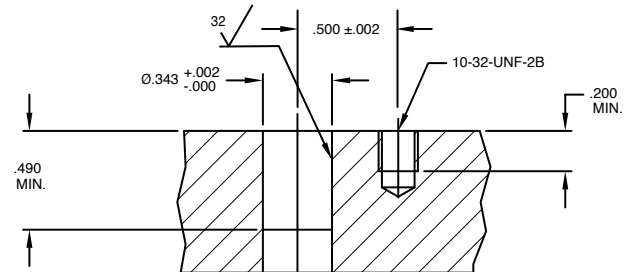
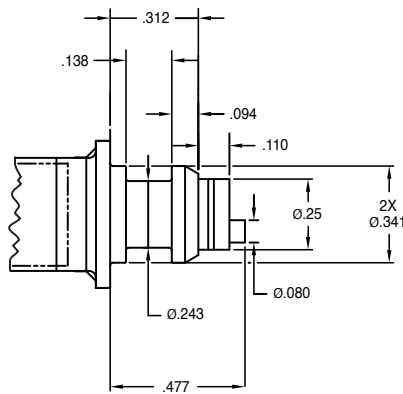
**CTL-312**  
**5/16-24 UNF-2A**



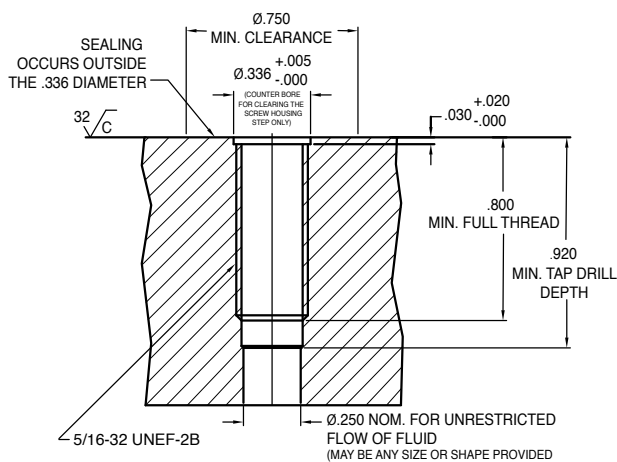
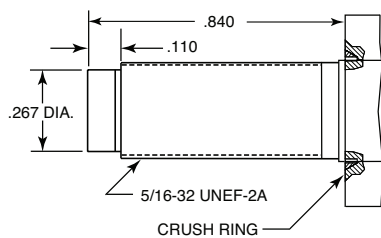
**CTL-375**  
**3/8-24 UNJF-3A**



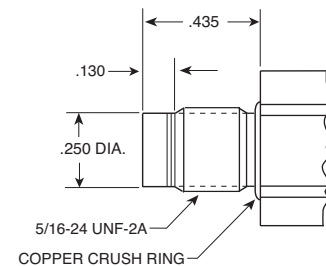
## KZS SERIES



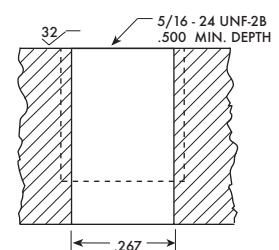
**(E)WCT(V)-312**



## ETL-GTS



**5/16-24 UNF-2A**  
**75 Inch pounds (Max.)**



(G)