

# METRIC INSTALLATION OF MINIATURE THREADED SERIES TRANSDUCERS

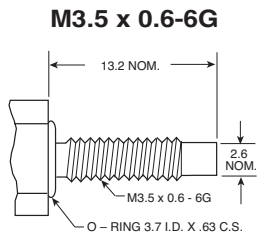


FIG. 1 (a)

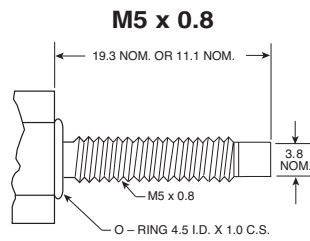


FIG. 1 (b)

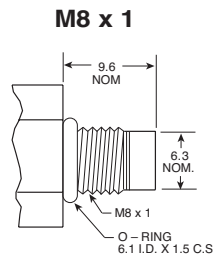


FIG. 1 (c)

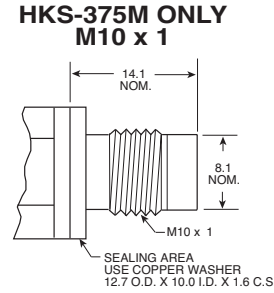


FIG. 1 (d)

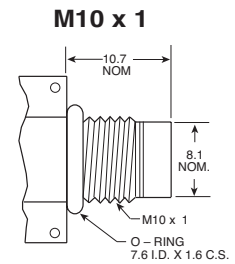


FIG. 1 (e)

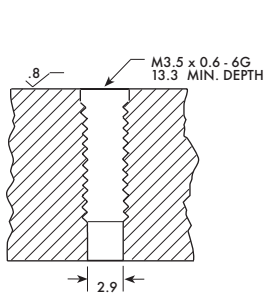


FIG. 2 (a)

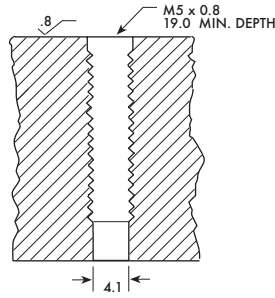


FIG. 2 (b)

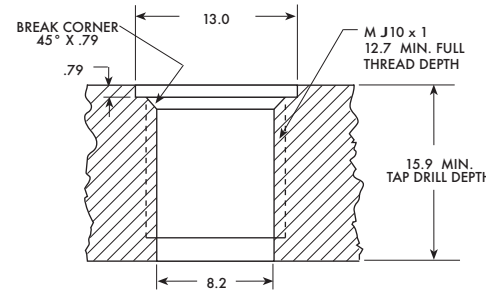


FIG. 2 (d) HKS-375M ONLY

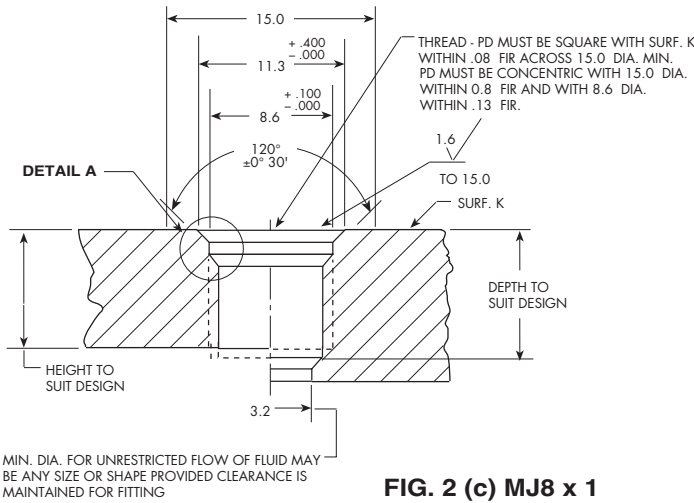


FIG. 2 (c) MJ8 x 1

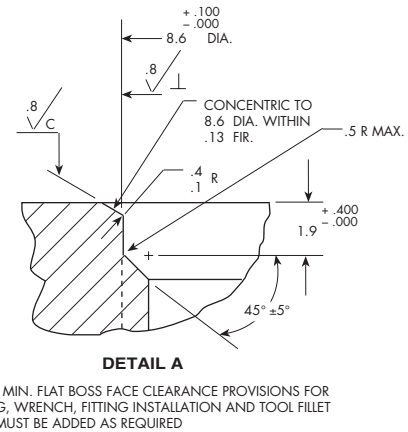


FIG. 2 (c) DETAIL

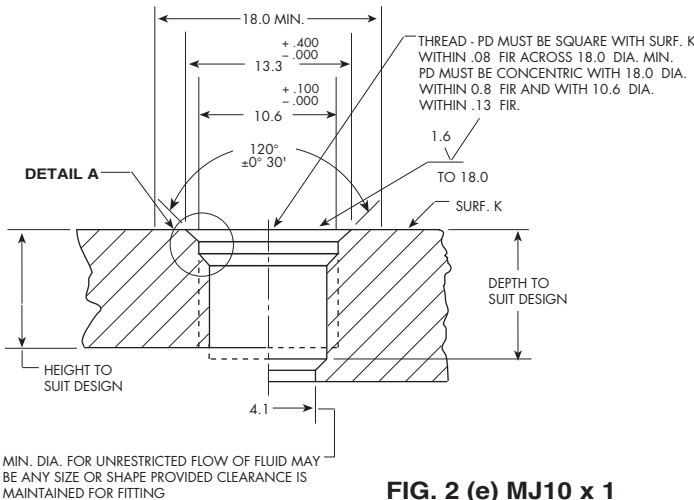


FIG. 2 (e) MJ10 x 1

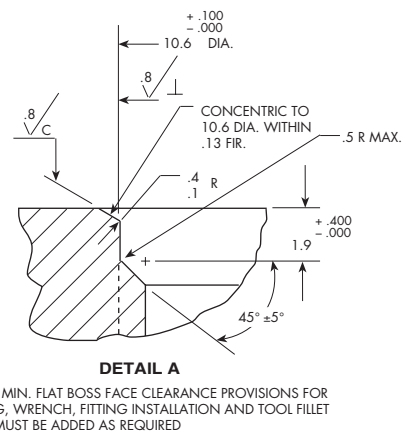


FIG. 2 (e) DETAIL

For proper mounting of Figures 1(e), an ISO7320 port is required. The detail for this port is shown in Fig. 2 (e) and Fig. 2 (e) Detail. Mounting torque for the transducers is listed below.

**M3.5 x 0.6-6G**  
1.7 Nm (Max.)

**M5 x 0.8**  
1.7 Nm (Max.)

**M8 x 1**  
8.5Nm (Max.)

**M10 x 1**  
9-13.5 Nm

**M10 x 1**  
9-13.5 Nm

(J)

