

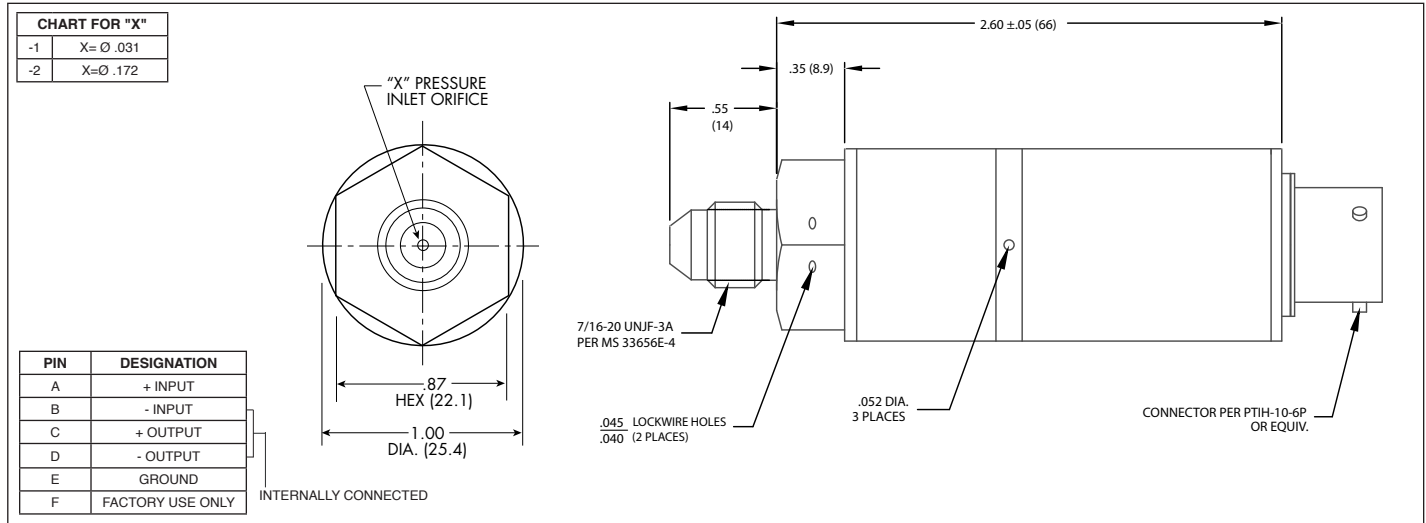


**VOLTAGE OUTPUT DIGITALLY CORRECTED GAGE
PRESSURE TRANSDUCER
BME-76-1100 GAGE SERIES**

- Robust Construction
- High Accuracy
- Digitally Corrected
- Designed for Ground Test Applications
- Silicon on Silicon Integrated Sensor **VIS**[®]
- Intrinsically Safe Applications Available (i.e. IS-BME-76-1100)



The BME-76-1100 Gage digitally corrected transducer offers high accuracy with a total error band of $\pm 0.25\%$ FSO, inclusive of all errors over a wide temperature range of -40°F to $+250^{\circ}\text{F}$. The ingenious application of modern solid state technology to transducer sensing makes the BME-76-1100 Gage Series the most advanced pressure transducer available. Designed to measure liquid or gas pressure, the transducer is of all-welded stainless steel construction, with integral pressure port and diaphragm.



INPUT	Pressure Range	1.7 25	3.5 50	7 100	17 BAR 250 PSI
	Operational Mode	Gage			
	Over Pressure	2 Times Rated Pressure to a Maximum of 5000 PSI (350 BAR)			
	Burst Pressure	5 Times Rated Pressure to a Maximum of 5000 PSI (350 BAR)			
	Pressure Media	Any Media Compatible With 316 SS and 15-5 PH Stainless Steel			
	Rated Electrical Excitation	8 - 32 VDC			
	Maximum Electrical Current	25 mA (Max.)			
OUTPUT	Output Impedance	750 Ohms (Max.)			
	Full Scale Output (Net)	4.0 VDC \pm .025 VDC			
	Total Error Band (Excluding End Points)	$\pm 0.25\%$ FSO (Max.) (Combined Non-Linearity, Hysteresis, Repeatability and All Thermal Effects Included)			
	Bandwidth (-3dB)	DC to 10 KHz			
	Residual Unbalance	0.5 VDC \pm .025 VDC			
	Resolution	Infinitesimal			
ENVIRONMENTAL	Insulation Resistance	100 Megohm Min. @ 50 VDC			
	Operating Temperature Range	-40°F to $+265^{\circ}\text{F}$ (-40°C to $+130^{\circ}\text{C}$)			
	Compensated Temperature Range	-40°F to $+250^{\circ}\text{F}$ (-40°C to $+120^{\circ}\text{C}$)			
	Linear Vibration	20g Peak, Sine 10 to 2000 Hz			
	Humidity	100% Relative Humidity			
PHYSICAL	Mechanical Shock	20g Half Sine Wave 11 msec. Duration			
	Electrical Connection	PTIH-10-6P Connector or Equivalent			
	Weight	125 Grams (Max.)			
	Pressure Sensing Principle	Fully Active Four Arm Wheatstone Bridge Dielectrically Isolated Silicon on Silicon			
	Mounting Torque	75 Inch-Pounds (Max.) (8.5 Nm)			

Note: Custom pressure ranges, accuracies and mechanical configurations available. Dimensions are in inches. Dimensions in parenthesis are in millimeters. All dimensions nominal. (E) Continuous development and refinement of our products may result in specification changes without notice. Copyright © 2021 Kulite Semiconductor Products, Inc. All Rights Reserved.