

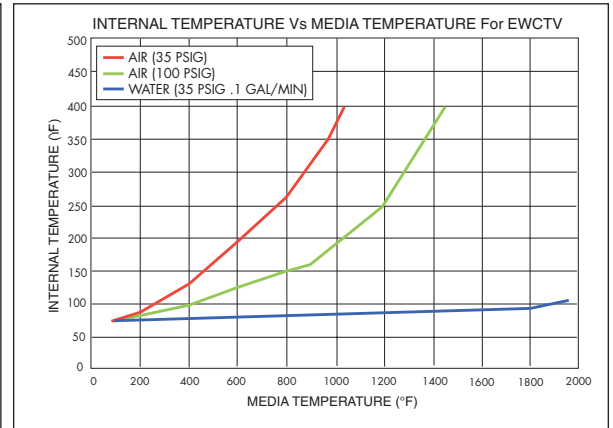
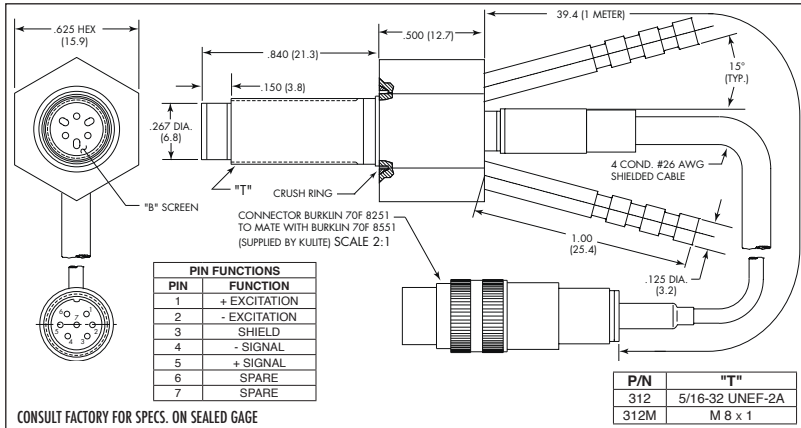
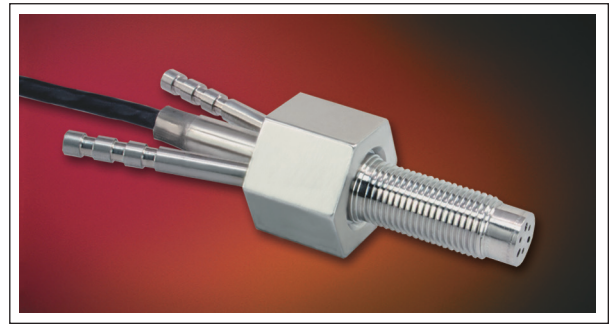


WATER/AIR COOLED IS® TRANSDUCER

WCTV-312 (M)

- High Signal to Noise Ratio
- Patented Leadless Technology VIS®
- No Charge Amp Required
- No Special Cable Required
- Superior Thermal Protection
- Both Dynamic and Static Pressure Capabilities
- Extreme Temperature Capabilities Such As Required In Exhaust Systems

Kulite introduces a new small and compact Water Cooled Pressure Transducer for both dynamic and static pressure measurements in extreme temperature environments such as automotive and turbine exhaust systems. The WCTV-312 combines Kulite's patented Low Cost Leadless Silicon Technology and a Miniature Water Cooled Jacket to provide pressure measurement capabilities previously unavailable.



INPUT					
Pressure Range	1.7 25	7 100	17 250	35 500	70 BAR 1000 PSI
Operational Mode	Absolute, Sealed Gage				
Over Pressure	2 Times Rated Pressure				
Burst Pressure	3 Times Rated Pressure				
Pressure Media	Compatible With Exhaust Gases and Fluids and Any Media Compatible With SiO ₂ and 15-5 PH Stainless Steel				
Rated Electrical Excitation	10 VDC/AC				
Maximum Electrical Excitation	15 VDC/AC				
Input Impedance	1000 Ohms (Min.)				
OUTPUT					
Output Impedance	1000 Ohms (Nom.)				
Full Scale Output (FSO)	100 mV (Nom.)				
Residual Unbalance	± 25 mV (Max.)				
Combined Non-Linearity, Hysteresis and Repeatability	± 0.1% FSO BFSL (Typ.), ± 0.5% FSO (Max.)				
Resolution	Infinitesimal				
Natural Frequency (KHz) (Typ.)	240	380	550	700	1000
Insulation Resistance	100 Megohm Min. @ 50 VDC				
ENVIRONMENTAL					
Water Flow Rate	.15 Gal/Min (Typ.)				
Operating Temperature Range	75°F to 2000°F (24°C to 1093°C)				
Mechanical Shock	20 Half Sine Wave 11 msec. Duration				
Linear Vibration	20 Peak, Sine 10 to 2000 Hz				
PHYSICAL					
Electrical Connection	7 Pin Connector and Mating Connector				
Weight	50 Grams (Approx.) Excluding Cable				
Pressure Sensing Principle	Fully Active Four Arm Wheatstone Bridge Dielectrically Isolated Silicon on Silicon Patented Leadless Technology				
Mounting Torque	50 Inch-Pounds (Max.) 6Nm				

Note: Custom pressure ranges, accuracies and mechanical configurations available. Dimensions are in inches. Dimensions in parenthesis are in millimeters. Continuous development and refinement of our products may result in specification changes without notice - all dimensions nominal. (V)