



HIGH PRESSURE RUGGEDIZED DYNAMIC RESPONSE PRESSURE TRANSDUCER

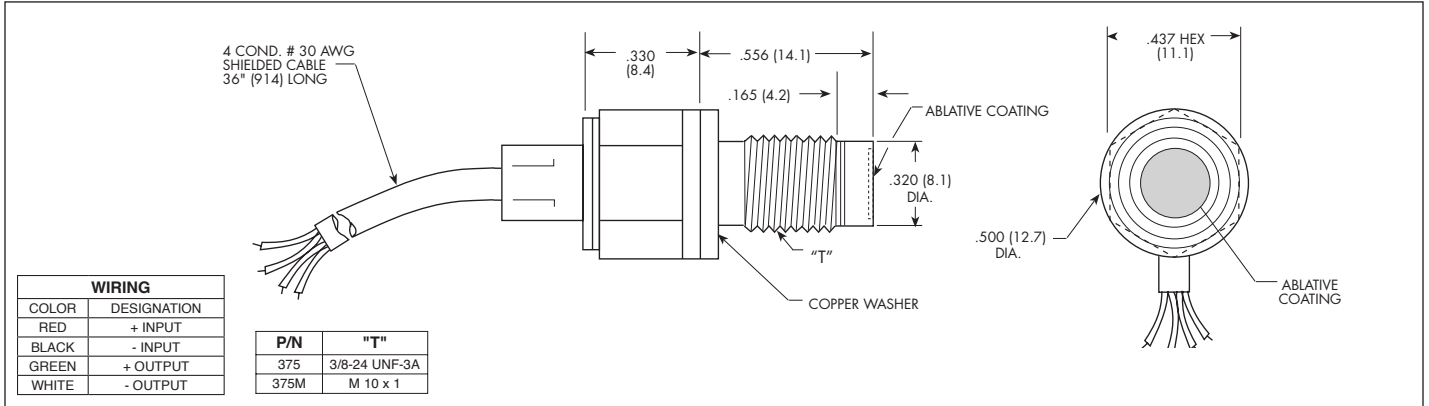
HKS-37-375 (M) SERIES

- Designed For Blast Pressure Applications
- Low Impedance High Output
- Very High Natural Frequency
- Silicon on Silicon Integrated Sensor **VIS®**
- Excellent Signal To Noise Ratio

Designed for high pressure, high shock environments, this transducer is widely used in both military and commercial blast measurement applications.



Kulite recommends the **KSC Series** of signal conditioners to maximize the measurement capability of the HKS-37-375 transducer.



INPUT	Pressure Range	4200 BAR 60000 PSI
	Operational Mode	Sealed Gage
	Over Pressure	4200 BAR 60000 PSI
	Burst Pressure	4200 BAR 60000 PSI
	Pressure Media	Any Liquid or Gas Compatible With 15-5 PH, 316 Stainless Steel and Silicone RTV
	Rated Electrical Excitation	10 VDC/AC
	Maximum Electrical Excitation	12 VDC/AC
	Input Impedance	1000 Ohms (Min.)
OUTPUT	Output Impedance	1000 Ohms (Nom.)
	Full Scale Output (FSO)	100mV (Nom.)
	Residual Unbalance	± 5 mV (Typ.)
	Combined Non-Linearity, Hysteresis and Repeatability	± 0.1% FSO BFSL (Typ.) ± 0.5% FSO (Max.)
	Resolution	Infinitesimal
	Natural Frequency of Sensor Without RTV (MHz) (Typ.)	10
	Acceleration Sensitivity % FS/g Perpendicular	5.0x10 ⁻⁸
	Insulation Resistance	100 Megohm Min. @ 50 VDC
ENVIRONMENTAL	Operating Temperature Range	-65°F to +350°F (-55°C to +175°C)
	Compensated Temperature Range	80°F to +180°F (25°C to +80°C) Any 100°F Range Within The Operating Range on Request
	Thermal Zero Shift	± 1% FS/100°F (Typ.)
	Thermal Sensitivity Shift	± 1% /100°F (Typ.)
	Mechanical Shock	20g Half Sine Wave 11 msec. Duration
PHYSICAL	Electrical Connection	4 Conductor 30 AWG Shielded Cable 36" Long
	Weight	25 Grams (Nom.) Excluding Cable
	Pressure Sensing Principle	Fully Active Four Arm Wheatstone Bridge Dielectrically Isolated Silicon on Silicon
	Mounting Torque	180 Inch-Pounds (Max.) 20 Nm
	Diaphragm Coating	Ablative Coating Standard

Note: Custom pressure ranges, accuracies and mechanical configurations available. Dimensions are in inches. Dimensions in parenthesis are in millimeters. All dimensions nominal. (J) Continuous development and refinement of our products may result in specification changes without notice. Copyright © 2014 Kulite Semiconductor Products, Inc. All Rights Reserved. Kulite miniature pressure transducers are intended for use in test and research and development programs and are not necessarily designed to be used in production applications. For products designed to be used in production programs, please consult the factory.