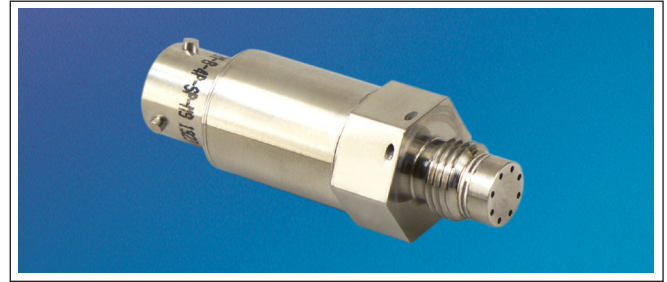




MINIATURE 4-20mA OUTPUT PRESSURE TRANSMITTER

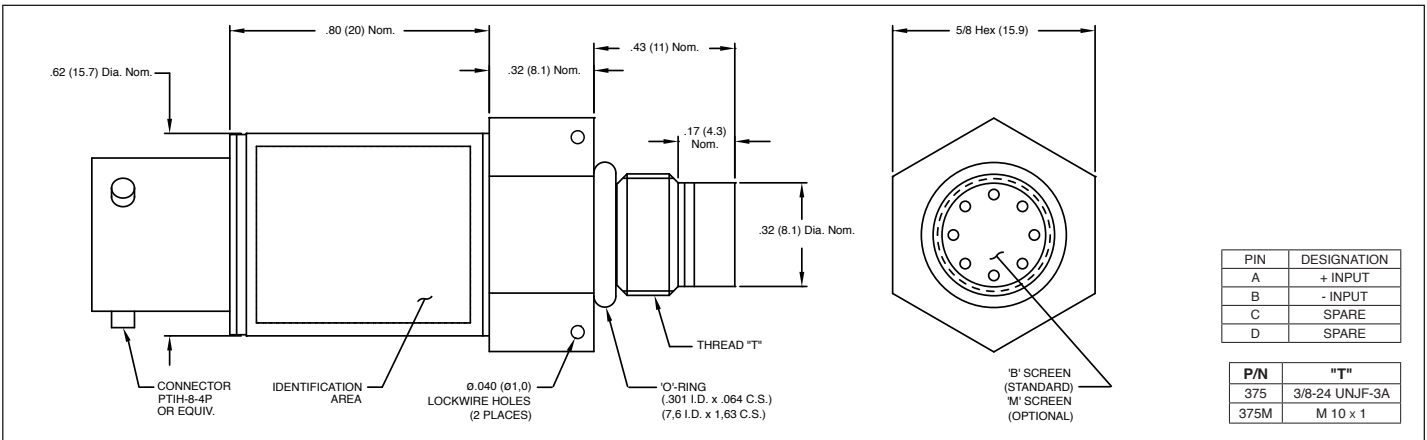
ETL-200-375 (M) CO SERIES

- 4-20mA Output
- 2 Wire Operation
- Hybrid Microelectronic Signal Conditioner
- Patented Leadless Technology **VIS**[®]
- All Welded Construction
- Secondary Containment On Absolute And Sealed Gage Units
- Aerospace Quality Components
- 3/8-24 UNJF or M10 X 1 Thread



ETL-200-375(M) CO Series transmitters employ the same approach to transducer construction as the standard ETL-375(M) CO Series. The ETL Series uses Kulite's Patented Leadless Technology. The Kulite proprietary electronics module in this product line, however, provides a current output signal (4 to 20 mA). These instruments are an excellent choice for applications requiring the current output signal but in which space and/or weight are at a premium.

Part performance not guaranteed if used in water.



INPUT	Pressure Range	1.7 25	3.5 50	7 100	17 250	35 500	70 1000	170 2500	350 BAR 5000 PSI	
	Operational Mode	Absolute, Gage, Sealed Gage								
	Over Pressure	2 Times Rated Pressure to 1000 PSI (70 BAR) 1.5 Times Rated Pressure Above 1000 PSI to a Max. of 6000 PSI (420 BAR)								
	Burst Pressure	3 Times Rated Pressure to a Max. of 10000 PSI (700 BAR)								
	Pressure Media	All Nonconductive, Noncorrosive Liquids or Gases (Most Conductive Liquids and Gases - Please Consult Factory)								
	Minimum Voltage Required	9 V Minimum Voltage Required Across The Input and Output Wires								
OUTPUT	Rated Electrical Excitation	12 - 32 VDC								
	Output	4 - 20 mA								
	Bandwidth (-3dB)	DC to 750 Hz								
	Combined Non-Linearity, Hysteresis and Repeatability	± 0.1% FSO BFSL (Typ.), ± 0.5% FSO (Max.)								
	Resolution	Infinitesimal								
	Natural Frequency of Sensor Without Screen (KHz) (Typ.)	Greater Than 400 KHz								
ENVIRONMENTAL	Acceleration Sensitivity % FS/g Perpendicular	1.9x10 ⁻³	1.0x10 ⁻³	5.2x10 ⁻⁴	2.2x10 ⁻⁴	1.1x10 ⁻⁴	6.2x10 ⁻⁵	2.6x10 ⁻⁵	1.5x10 ⁻⁵	
	Insulation Resistance	100 Megohm Min. @ 50 VDC								
	Operating Temperature Range	-65°F to +250°F (-55°C to +120°C)								
	Compensated Temperature Range	0°F to +212°F (-18°C to +100°C) Other Ranges Quoted on Request								
	Thermal Zero Shift	± 1% FS/100° F (Typ.)								
	Thermal Sensitivity Shift	± 1% /100° F (Typ.)								
PHYSICAL	Linear Vibration	20g Peak, Sine 10 to 2000 Hz								
	Mechanical Shock	20g Half Sine Wave 11 msec. Duration								
	Electrical Connection	PTIH-8-4P or Equivalent (Mating Connector Available Upon Request)								
	Weight	24.5 Grams (Nom.)								
PHYSICAL	Pressure Sensing Principle	Fully Active Four Arm Wheatstone Bridge Dielectrically Isolated Silicon on Silicon Patented Leadless Technology								
	Mounting Torque	80 Inch-Pounds (Max.)								

Note: Custom pressure ranges, accuracies and mechanical configurations available. Dimensions are in inches. Dimensions in parenthesis are in millimeters. All dimensions nominal. (D) Continuous development and refinement of our products may result in specification changes without notice. Copyright © 2020 Kulite Semiconductor Products, Inc. All Rights Reserved. Kulite miniature pressure transducers are intended for use in test and research and development programs and are not necessarily designed to be used in production applications. For products designed to be used in production programs, please consult the factory.