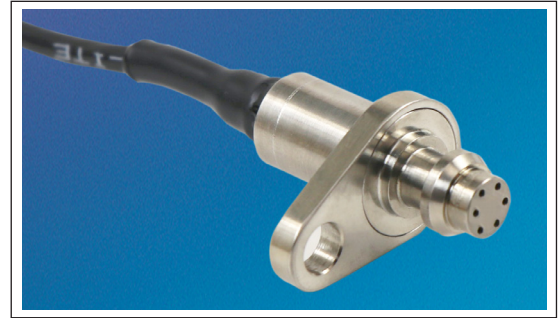




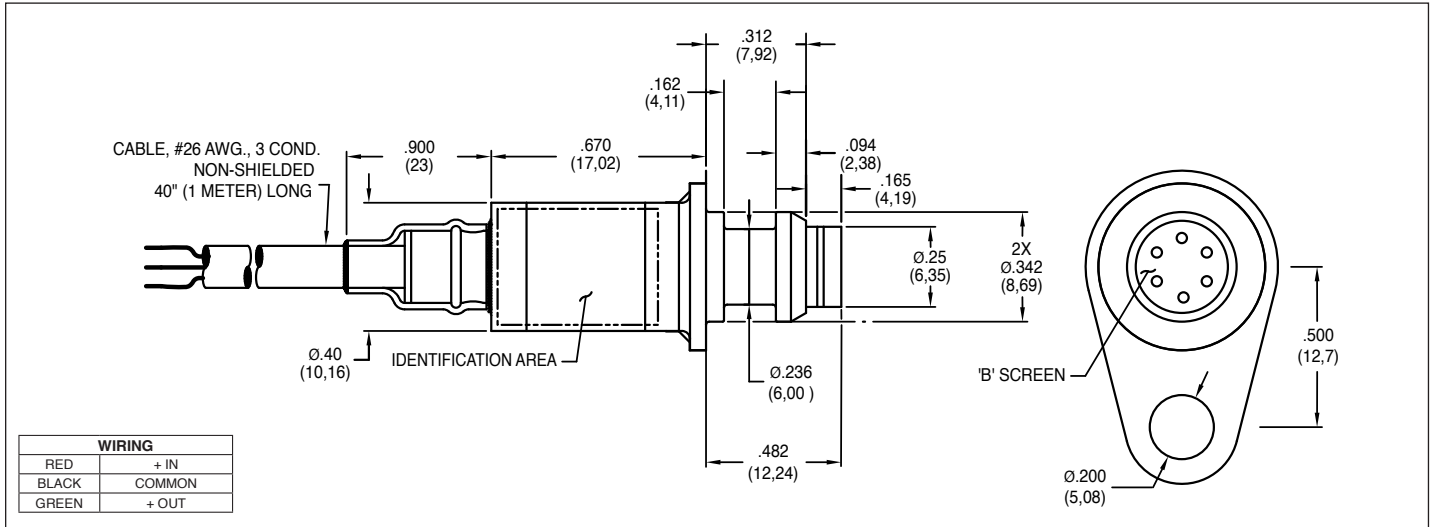
FLANGE MOUNT ULTRAMINIATURE 5V OUTPUT PRESSURE TRANSDUCER

KZS-FL-400 (M) SERIES

- Robust Construction
- Excellent Long Term Stability
- Patented Leadless Technology **VIS**[®]
- Designed For Industrial And Automotive Applications



The KZS-FL-400 is a miniature flange mount pressure transducer. The pressure transducer utilizes a patented silicon on silicon design. All wetted parts of the transducer are compatible with most automotive fluids. Part performance not guaranteed if used in water.



INPUT	Pressure Range	10 145	15 217	20 290	250 BAR 3600 PSI
	Operational Mode	Absolute, Sealed Gage			
	Over Pressure	2 Times Rated Pressure to 500 PSI (35 BAR) 1.5 Times Rated Pressure Above 500 PSI (35 BAR)			
	Burst Pressure	3 Times Rated Pressure			
	Pressure Media	Any Liquid or Gas Compatible with 15-5 S/S, Kovar and SiO ₂			
	Maximum Electrical Current	25 mA			
	Rated Electrical Excitation	8 to 16 VDC			
OUTPUT	Full Scale Reading	4.5V ± 1.5% (3 Wire System Single Ended Output)			
	Residual Unbalance	0.5V ± 75mV			
	Output Impedance	<1000 Ohms			
	Sensor Response Time	0.7 ms (Nom.)			
	Combined Non-Linearity, Hysteresis and Repeatability	± 0.1% BFSL (Typ.), ± 0.25% BFSL (Max.)			
ENVIRONMENTAL	Resolution	Infinitesimal			
	Insulation Resistance	100 Megohm Min. @ 50 VDC			
	Operating Temperature Range	-67°F to +365°F (-55°C to +185°C)			
	Compensated Temperature Range	+68°F to +347°F (+20°C to +175°C)			
	Total Error Band (Excluding End Points)	± 2% ≤ 217.5 PSI (15 BAR), ± 1% > 217.5 PSI (15 BAR)			
PHYSICAL	Linear Vibration	10-2,000 Hz Sine, 20g. (Max.)			
	Mechanical Shock	20g half Sine Wave 11 msec. Duration			
	Electrical Connection	3 Conductor 26 AWG Non-Shielded Cable 40" (1 Meter) Long			
	Weight	15 Grams Excluding Cable			
Pressure Sensing Principle		Fully Active Four Arm Wheatstone Bridge Dielectrically Isolated Silicon on Silicon Patented Leadless Technology			

Note: Custom pressure ranges, accuracies, mechanical configurations. Dimensions are in inches. Dimensions in parenthesis are in millimeters. All dimensions nominal. (A) Continuous development and refinement of our products may result in specification changes without notice. Copyright © 2022 Kulite Semiconductor Products, Inc. All Rights Reserved. Kulite miniature pressure transducers are intended for use in test and research and development programs and are not necessarily designed to be used in production applications. For products designed to be used in production programs, please consult the factory.