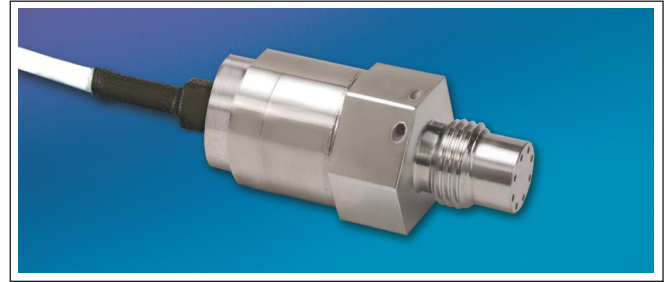




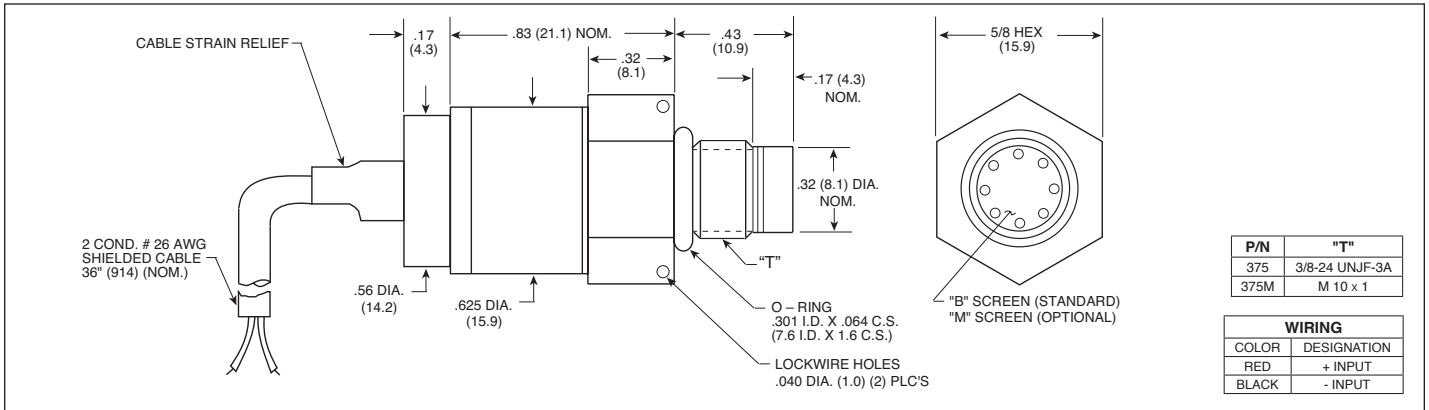
MINIATURE 4-20mA OUTPUT PRESSURE TRANSMITTER ETL-200-375 (M) SERIES

- 4-20mA Output
- 2 Wire Operation
- Hybrid Microelectronic Signal Conditioner
- Patented Leadless Technology **VIS**[®]
- All Welded Construction
- Secondary Containment On Absolute And Sealed Gage Units
- Aerospace Quality Components
- 3/8-24 UNJF or M10 X 1 Thread



ETL-200-375 Series transmitters employ the same approach to transducer construction as the standard ETL-375 Series. The ETL Series uses Kulite's Patented Leadless Technology. The Kulite proprietary electronics module in this product line, however, provides a current output signal (4 to 20 mA). These instruments are an excellent choice for applications requiring the current output signal but in which space and/or weight are at a premium.

Part performance not guaranteed if used in water.



	1.7	3.5	7	17	35	70	170	350 BAR
	25	50	100	250	500	1000	2500	5000 PSI
INPUT								
Pressure Range								
Operational Mode	Absolute, Gage, Sealed Gage							
Over Pressure	2 Times Rated Pressure to 1000 PSI (70 BAR) 1.5 Times Rated Pressure Above 1000 PSI to a Max. of 6000 PSI (420 BAR)							
Burst Pressure	3 Times Rated Pressure to a Max. of 10000 PSI (700 BAR)							
Pressure Media	All Nonconductive, Noncorrosive Liquids or Gases (Most Conductive Liquids and Gases - Please Consult Factory)							
Minimum Voltage Required	9 V Minimum Voltage Required Across The Input and Output Wires							
Rated Electrical Excitation	12 - 32 VDC							
OUTPUT								
Output	4 - 20 mA							
Bandwidth (-3dB)	DC to 750 Hz							
Combined Non-Linearity, Hysteresis and Repeatability	± 0.1% FSO BFSL (Typ.), ± 0.5% FSO (Max.)							
Resolution	Infinitesimal							
Natural Frequency of Sensor Without Screen (KHz) (Typ.)	Greater Than 400 KHz							
Acceleration Sensitivity % FS/g Perpendicular	1.9x10 ⁻³	1.0x10 ⁻³	5.2x10 ⁻⁴	2.2x10 ⁻⁴	1.1x10 ⁻⁴	6.2x10 ⁻⁵	2.6x10 ⁻⁵	1.5x10 ⁻⁵
Insulation Resistance	100 Megohm Min. @ 50 VDC							
ENVIRONMENTAL								
Operating Temperature Range	-65°F to +250°F (-55°C to +120°C)							
Compensated Temperature Range	0°F to +212°F (-18°C to +100°C) Other Ranges Quoted on Request							
Thermal Zero Shift	± 1% FS/100° F (Typ.)							
Thermal Sensitivity Shift	± 1% /100° F (Typ.)							
Linear Vibration	100g Peak, Sine up to 5000 Hz							
Mechanical Shock	100g half Sine Wave 11 msec. Duration							
PHYSICAL								
Electrical Connection	2 Conductor 26 AWG Shielded Cable 36" Long							
Weight	24.5 Grams (Max.) Excluding Cable							
Pressure Sensing Principle	Fully Active Four Arm Wheatstone Bridge Dielectrically Isolated Silicon on Silicon Patented Leadless Technology							
Mounting Torque	80 Inch-Pounds (Max.)							

Note: Custom pressure ranges, accuracies and mechanical configurations available. Dimensions are in inches. Dimensions in parenthesis are in millimeters. All dimensions nominal. (R) Continuous development and refinement of our products may result in specification changes without notice. Copyright © 2014 Kulite Semiconductor Products, Inc. All Rights Reserved. Kulite miniature pressure transducers are intended for use in test and research and development programs and are not necessarily designed to be used in production applications. For products designed to be used in production programs, please consult the factory.