

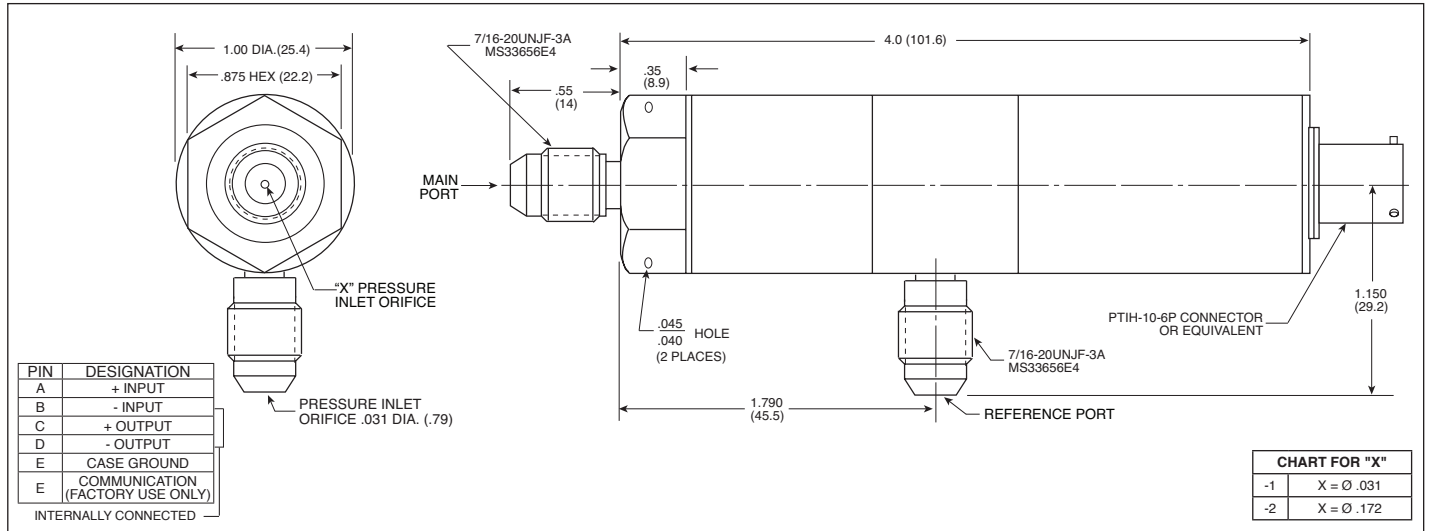


VOLTAGE OUTPUT DIGITALLY CORRECTED DIFFERENTIAL PRESSURE TRANSDUCER

BMDE-70-1000 SERIES

- Robust Construction
- Digitally Corrected
- High Accuracy
- Silicon on Silicon Integrated Sensor **VIS®**

The BMDE-70-1000 digitally corrected transducer offers high accuracy inclusive of all errors over a wide temperature range of -40°F to +250°F. The ingenious application of modern solid state technology to transducer sensing makes the BMDE-70-1000 Series the most advanced pressure transducer available. Designed to measure liquid or gas pressure, the transducer is of all-welded stainless steel construction, with integral pressure port and diaphragm.



INPUT	Pressure Range	0.35 5	1.0 15	1.7 25	3.5 50	7 100	17 250	35 BAR 500 PSI
	Operational Mode	Differential						
	Over Pressure	2 Times Rated Pressure						
	Burst Pressure	3 Times Rated Pressure						
	Line Pressure	4 Times Rated Pressure						
	Pressure Media	Any Media Compatible With 316 SS and 15-5 PH Stainless Steel						
	Rated Electrical Excitation	8 - 32 VDC						
	Maximum Electrical Current	25 mA (Max.)						
OUTPUT	Output	0.5 VDC to 4.5 VDC ("0" D Set at 2.5 VDC)						
	Total Error Band (Excluding End Points and Line Pressure Effects)	± 0.5% FSO (Max.)			± 0.25% FSO (Max.)			
		(Combined Non-Linearity, Hysteresis, Repeatability and All Thermal Effects Included)						
	Bandwidth (-3dB)	DC to 10 KHz						
	Residual Unbalance	2.5 VDC ± .025 VDC						
	Full Scale Output (FSO) (Net)	± 2.0 VDC ± .025 VDC						
ENVIRONMENTAL	Resolution	Infinitesimal						
	Insulation Resistance	100 Megohm Min. @ 50 VDC						
	Operating Temperature Range	-40°F to +265°F (-40°C to +130°C)						
	Compensated Temperature Range	-40°F to +250°F (-40°C to +120°C)						
	Linear Vibration	20g Peak, Sine 10 to 2000 Hz						
PHYSICAL	Humidity	100% Relative Humidity						
	Mechanical Shock	20g half Sine Wave 11 msec. Duration						
	Electrical Connection	PTIH-10-6P Connector or Equivalent						
	Weight	270 Grams Approx.						
PHYSICAL	Pressure Sensing Principle	Fully Active Four Arm Wheatstone Bridge Dielectrically Isolated Silicon on Silicon						
	Mounting Torque	100 Inch-Pounds (Max.)						

Note: Custom pressure ranges, accuracies and mechanical configurations available. Dimensions are in inches. Dimensions in parenthesis are in millimeters. All dimensions nominal. (G) Continuous development and refinement of our products may result in specification changes without notice. Copyright © 2014 Kulite Semiconductor Products, Inc. All Rights Reserved.