

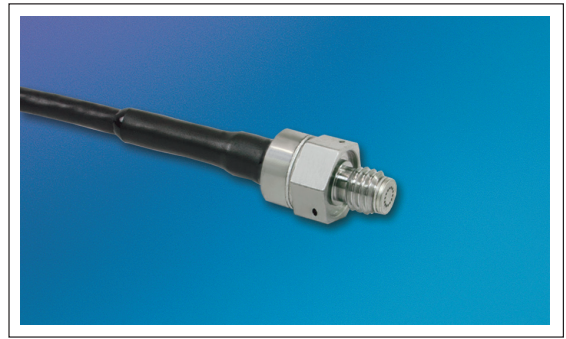


# RUGGEDIZED AUTOMOTIVE PRESSURE TRANSDUCERS

## XTL-HA-123G-190 (M) SERIES

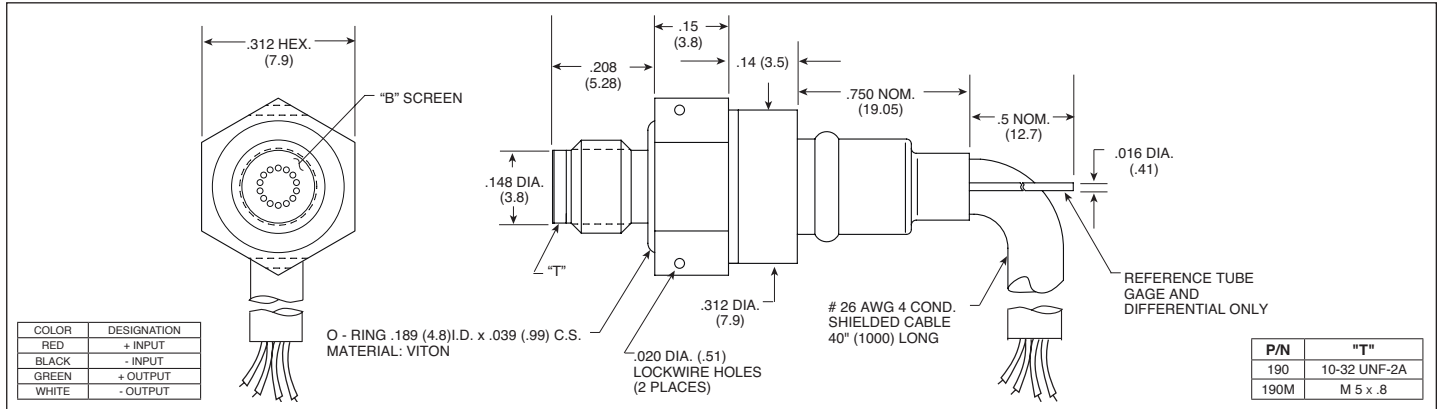
- Easy Installation
- High Natural Frequency
- 10-32 UNF or M 5 x .8 Thread
- Wide Temperature Range
- Compatible With Most Automotive Fluids
- High Accuracy
- Patented Leadless Technology VIS®

**HIGH ACCURACY**



Part performance not guaranteed if used in water.

Kulite recommends the [KSC Series](#) of signal conditioners to maximize the measurement capability of the XTL-HA-123G-190 transducer.



	1.0 15	1.7 25	3.5 50	7 100	17 250	35 500	70 1000	210 BAR 3000 PSI
<b>INPUT</b>								
Pressure Range	Absolute, Gage, Differential		Absolute, Sealed Gage, Gage, Differential			Absolute, Sealed Gage		
Operational Mode	2 Times Rated Pressure to 500 PSI (35 BAR), 1.5 Times Rated Pressure Above 500 PSI (35 BAR)							
Over Pressure	3 Times Rated Pressure to a Maximum of 4500 PSI (315 BAR)							
Burst Pressure	All Nonconductive, Noncorrosive Liquids or Gases (Most Conductive Liquids and Gases - Please Consult Factory)							
Pressure Media	10 VDC							
Rated Electrical Excitation	12 VDC							
Maximum Electrical Excitation	1000 Ohms (Min.), 5000 Ohms (Max.)							
Input Impedance	2000 Ohms (Max.)							
Output Impedance	100 mV ± 10 mV							
Full Scale Output (FSO)	± 5 mV (Typ.)							
Residual Unbalance	± 0.1% FSO BFSL (Typ.), ± 0.5% FSO (Max.)							
Combined Non-Linearity, Hysteresis and Repeatability	Infinitesimal							
Resolution	Greater Than 175 KHz							
Natural Frequency of Sensor Without Screen (KHz) (Typ.)	6.5x10 <sup>-4</sup>	5.0x10 <sup>-4</sup>	3.0x10 <sup>-4</sup>	1.5x10 <sup>-4</sup>	1.0x10 <sup>-4</sup>	6.0x10 <sup>-5</sup>	4.5x10 <sup>-5</sup>	2.0x10 <sup>-5</sup>
Acceleration Sensitivity % FS/g Perpendicular	100 Megohm Min. @ 50 VDC							
Insulation Resistance	-40°F to +390°F (-40°C to +200°C)							
Operating Temperature Range	-40°F to +350°F (-40°C to +175°C)							
Compensated Temperature Range	± 3% FS BFSL				± 2% FS BFSL			
Total Error Band Over Compensated Temperature Range	Includes Thermal Sensitivity Shift, Thermal Zero Shift And Static Error Band Over Compensated Temperature Range (Typ.)							
Linear Vibration	20g Peak, Sine 10 to 2000 Hz							
Mechanical Shock	20g Half Sine Wave 11 msec. Duration							
<b>ENVIRONMENTAL</b>								
Electrical Connection	4 Conductor 26 AWG Shielded Viton Cable 40" (1000) Long							
Weight	5 Grams (Nom.) Excluding Cable							
Pressure Sensing Principle	Fully Active Four Arm Wheatstone Bridge Dielectrically Isolated Silicon on Silicon Patented Leadless Technology							
Mounting Torque	15 Inch-Pounds							
<b>PHYSICAL</b>								

Note: Custom pressure ranges, accuracies and mechanical configurations available. Dimensions are in inches. Dimensions in parenthesis are in millimeters. All dimensions nominal. (G) Continuous development and refinement of our products may result in specification changes without notice. Copyright © 2016 Kulite Semiconductor Products, Inc. All Rights Reserved. Kulite miniature pressure transducers are intended for use in test and research and development programs and are not necessarily designed to be used in production applications. For products designed to be used in production programs, please consult the factory.