



5 VDC OUTPUT DIGITALLY CORRECTED PRESSURE TRANSDUCER

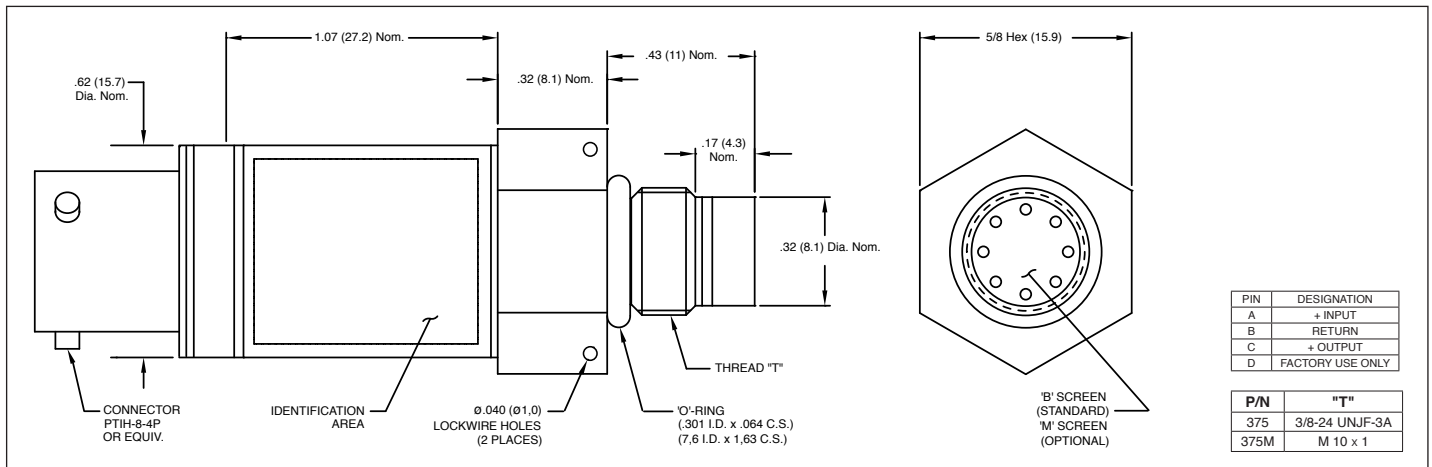
ETM-DC-375 (M) CO SERIES

- 5 VDC Digitally Corrected Output
- Hybrid Microelectronic Regulator-Amplifier
- All Welded Construction
- Silicon on Silicon Integrated Sensor **VIS®**
- Secondary Containment On Absolute And Sealed Gage Units
- Aerospace Quality Components
- Analog Output
- Intrinsically Safe Applications Available (i.e. IS-ETM-DC-375)



ETM-DC-375(M) CO Series transducers are miniature, threaded instruments. The sensing sub-assembly is protected from mechanical damage by a solid screen which has been shown to have minimal influence on the frequency response of the sensor. Incorporation of a Kulite proprietary electronics module within the main body of this

product allows for operation from an unregulated power supply ranging from 8 - 32 VDC with reverse polarity protection available upon request. The result is a stable, digitally corrected 0 to 5 VDC output signal.



	17	35	70	170	350	700	1400 BAR
INPUT	250	500	1000	2500	5000	10000	20000 PSI
Pressure Range							
Operational Mode	Absolute, Sealed Gage						
Over Pressure	2 Times Rated Pressure to 1000 PSI (70 BAR) 1.5 Times Rated Pressure Above 1000 PSI to a Max. of 25000 PSI (1724 BAR)						
Burst Pressure	3 Times Rated Pressure to a Max. of 25000 PSI (1724 BAR)						
Pressure Media	Any Liquid or Gas Compatible With 15-5 PH and 316 Stainless Steel or Inconel 625						
Maximum Electrical Current	25 mA						
Rated Electrical Excitation	8 - 32 VDC						
OUTPUT							
Full Scale Output (FSO)	5 VDC						
Residual Unbalance	0 VDC						
Output Impedance	50 Ohms (Typ.)						
Total Error Band	± 0.5% (Typ.) (End Point Settings, Combined Non-Linearity, Hysteresis, Repeatability and All Thermal Effects Included)						
Bandwidth (-3dB)	DC to 2500 Hz						
Resolution	Infinitesimal						
Insulation Resistance	100 Megohm Min. @ 50 VDC						
ENVIRONMENTAL							
Operating Temperature Range	-40°F to +280°F (-40°C to +140°C) (Max.)						
Compensated Temperature Range	-40°F to +250°F (-40°C to +120°C)						
Linear Vibration	20g Peak, Sine 10 to 2000 Hz						
Mechanical Shock	20g Half Sine Wave 11 msec. Duration						
PHYSICAL							
Electrical Connection	PTIH-8-4P or Equivalent (Mating Connector Available Upon Request)						
Weight	24.5 Grams (Nom.)						
Pressure Sensing Principle	Fully Active Four Arm Wheatstone Bridge Dielectrically Isolated Silicon on Silicon						
Mounting Torque	80 Inch-Pounds (Max.)						

Note: Custom pressure ranges, accuracies and mechanical configurations available. Dimensions are in inches. Dimensions in parenthesis are in millimeters. All dimensions nominal. (F) Continuous development and refinement of our products may result in specification changes without notice. Copyright © 2020 Kulite Semiconductor Products, Inc. All Rights Reserved. Kulite miniature pressure transducers are intended for use in test and research and development programs and are not necessarily designed to be used in production applications. For products designed to be used in production programs, please consult the factory.