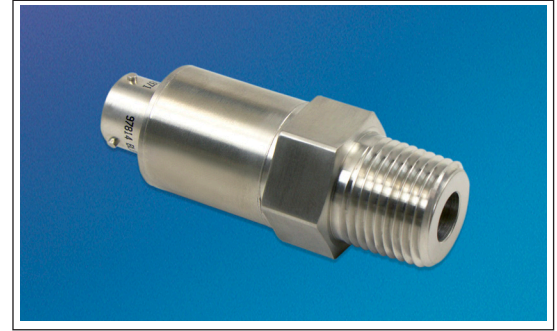




RUGGEDIZED PRESSURE TRANSDUCER

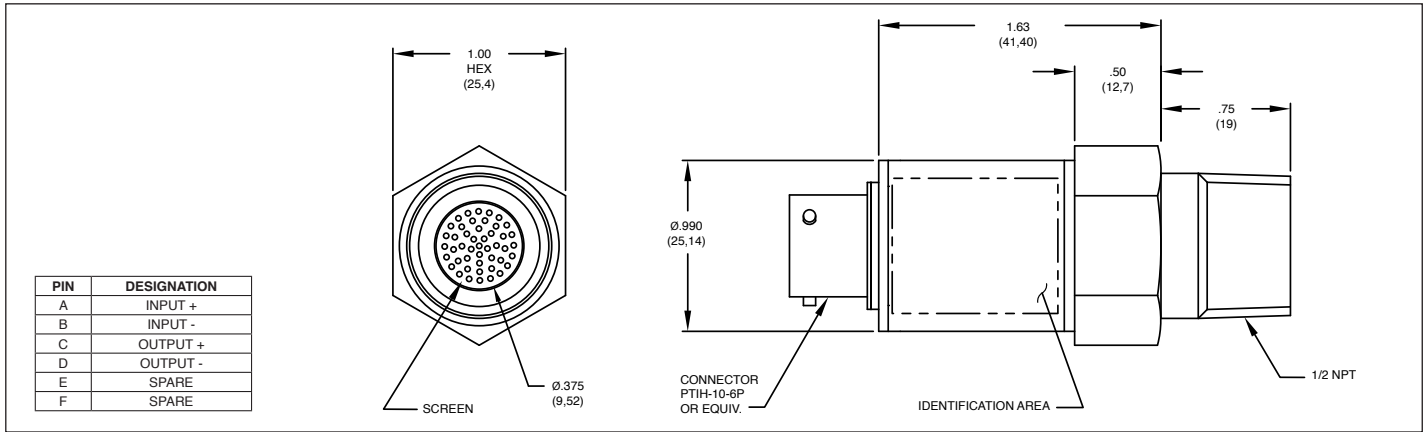
IPT-360-1000 SERIES

- Rugged All Welded Construction
- Designed for use in Reciprocating Compressors
- High Overload Capabilities
- Silicon on Silicon Integrated Sensor **VIS®**
- Excellent Long Term Stability
- In Cylinder Static and Dynamic Measurements
- Intrinsically Safe Applications Available   (i.e. IS-IPT-360-1000)



The IPT-360-1000 series transducer was designed to protect against rapid pressure pulsations as experienced by reciprocating compressors. Incorporating Kulite's standard oil-filled sub-assembly this novel transducer employs an additional membrane to dampen out rapid pressure pulsations. The ingenious application of modern solid state technology to transducer sensing makes the IPT-360-1000 Series the most advanced pressure transducer available. Designed to measure liquid or gas pressure, the transducer is of all-welded stainless steel hermetic construction and is ideal for industrial sensing applications.

Kulite recommends the **KSC Series** of signal conditioners to maximize the measurement capability of the IPT-360-1000 transducer. Channel resonance eliminated with **REZCOMP®**.



INPUT	Pressure Range	3.5 50	7 100	17 250	35 BAR 500 PSI
	Operational Mode	Absolute, Sealed Gage			
	Over Pressure	2 Times Rated Pressure Range			
	Burst Pressure	3 Times Rated Pressure Range			
	Pressure Media	Suitable for Natural Gas Transmission Applications			
	Rated Electrical Excitation	10 VDC/AC (RMS)			
	Input Impedance	1000 Ohm (Min.)			
OUTPUT	Output Impedance	< 4000 Ohm (Nom.)			
	Full Scale Output (FSO)	100 mV (Nom.)			
	Bandwidth (-3dB)	DC to 5 KHz			
	Residual Unbalance	0 mv (Nom.)			
	Combined Non-Linearity, Hysteresis and Repeatability	±0.3% FSO (Max.)			
ENVIRONMENTAL	Resolution	Infinitesimal			
	Insulation Resistance	100 Megohm Min. @ 50 VDC			
	Operating Temperature Range	-65°F to +250°F (-55°C to +121°C)			
	Compensated Temperature Range	-40°F to +250°F (-40°C to +121°C) Other Ranges Quoted on Request			
	Total Error Band	±3%			
PHYSICAL	Linear Vibration	20g Peak, Sine 10 to 2000 Hz			
	Mechanical Shock	100g half Sine Wave 11 msec. Duration			
	Electrical Connection	PTIH-10-6P Connector or Equivalent			
	Weight	110 Grams Approx.			
PHYSICAL	Pressure Sensing Principle	Fully Active Four Arm Wheatstone Bridge Dielectrically Isolated Silicon on Silicon			
	Mounting Torque	75 Inch-Pounds (Max.) (8.5Nm)			

Note: Custom pressure ranges, accuracies and mechanical configurations available. Dimensions are in inches. Dimensions in parenthesis are in millimeters. All dimensions nominal. Continuous development and refinement of our products may result in specification changes without notice. Copyright © 2021 Kulite Semiconductor Products, Inc. All Rights Reserved.