



MINIATURE 4-20mA OUTPUT PRESSURE TRANSMITTER

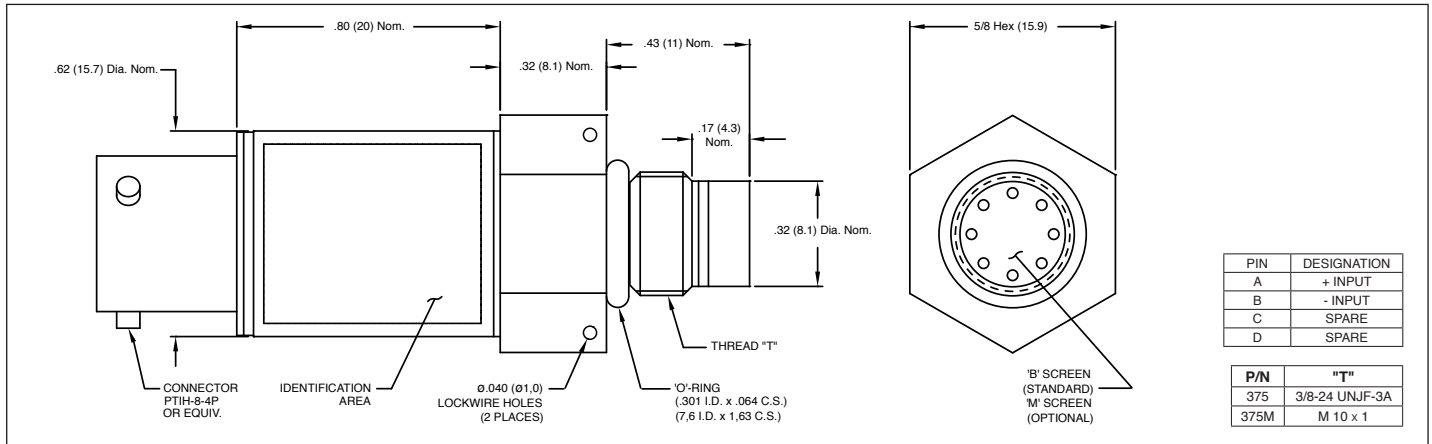
ETM-200-375 (M) CO SERIES

- 4-20mA Output
- 2 Wire Operation
- Hybrid Microelectronic Signal Conditioner
- Silicon on Silicon Integrated Sensor **VIS®**
- Flush Diaphragm
- All Welded Construction
- Secondary Containment On Absolute And Sealed Gage Units
- Aerospace Quality Components
- 3/8-24 UNJF or M10 X 1 Thread
- Intrinsically Safe Applications Available (i.e. IS-ETM-200-375)



ETM-200-375(M) CO Series transmitters employ the same approach to transducer construction as the standard ETM-375(M) Series. The Kulite proprietary electronics module in this product line, however, provides a current output signal (4 to 20 mA). These instruments

are an excellent choice for applications requiring the current output signal but in which space and/or weight are at a premium.



	17	35	70	170	350	700	1400 BAR
INPUT	250	500	1000	2500	5000	10000	20000 PSI
Pressure Range							
Operational Mode	Absolute, Sealed Gage						
Over Pressure	2 Times Rated Pressure to 1000 PSI (70 BAR) 1.5 Times Rated Pressure Above 1000 PSI to a Max. of 25000 PSI (1724 BAR)						
Burst Pressure	3 Times Rated Pressure to a Max. of 25000 PSI (1724 BAR)						
Pressure Media	Any Liquid or Gas Compatible With 15-5 PH and 316 Stainless Steel or Inconel 625						
Minimum Voltage Required	9 V Minimum Voltage Required Across The Input and Output Wires						
Rated Electrical Excitation	12 - 32 VDC						
OUTPUT	4 - 20 mA						
Output	DC to 750 Hz						
Bandwidth (-3dB)	± 0.1% FSO BFSL (Typ.), ± 0.5% FSO (Max.)						
Combined Non-Linearity, Hysteresis and Repeatability	Infinitesimal						
Resolution	Greater Than 400 KHz						
Natural Frequency of Sensor Without Screen (KHz) (Typ.)	2.2x10 ⁻⁴	1.1x10 ⁻⁴	6.2x10 ⁻⁵	2.6x10 ⁻⁵	1.5x10 ⁻⁵	1.3x10 ⁻⁵	8.0x10 ⁻⁶
Acceleration Sensitivity % FS/g Perpendicular	100 Megohm Min. @ 50 VDC						
Insulation Resistance	-65°F to +250°F (-55°C to +120°C)						
ENVIRONMENTAL	0°F to +212°F (-18°C to +100°C) Other Ranges Quoted on Request						
Operating Temperature Range	± 1% FS/100° F (Typ.)						
Compensated Temperature Range	± 1% /100° F (Typ.)						
Thermal Zero Shift	100g Peak, Sine up to 5000 Hz						
Thermal Sensitivity Shift	100g half Sine Wave 11 msec. Duration						
Linear Vibration	PTIH-8-4P or Equivalent (Mating Connector Available Upon Request)						
Mechanical Shock	24.5 Grams (Nom.)						
PHYSICAL	Fully Active Four Arm Wheatstone Bridge Dielectrically Isolated Silicon on Silicon						
Electrical Connection	80 Inch-Pounds (Max.)						
Weight							
Pressure Sensing Principle							
Mounting Torque							

Note: Custom pressure ranges, accuracies and mechanical configurations available. Dimensions are in inches. Dimensions in parenthesis are in millimeters. All dimensions nominal. (E) Continuous development and refinement of our products may result in specification changes without notice. Copyright © 2020 Kulite Semiconductor Products, Inc. All Rights Reserved. Kulite miniature pressure transducers are intended for use in test and research and development programs and are not necessarily designed to be used in production applications. For products designed to be used in production programs, please consult the factory.