



LOW PRESSURE RUGGEDIZED DYNAMIC RESPONSE PRESSURE TRANSDUCER

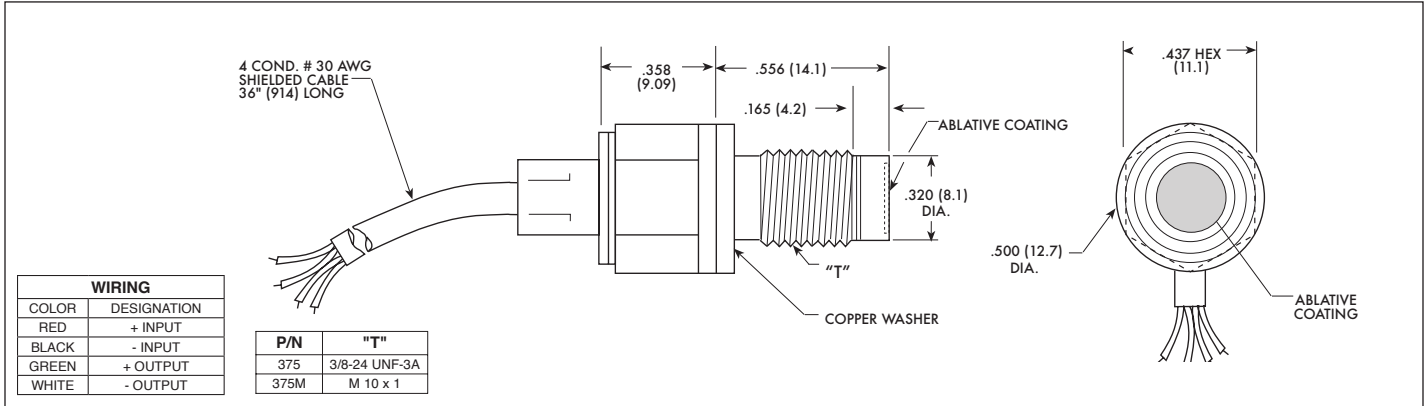
HKS-LP-375 (M) SERIES

- Low Impedance High Output
- Very High Natural Frequency
- Excellent Signal To Noise Ratio
- Silicon on Silicon Integrated Sensor **VIS**[®]
- Designed For Shock Pressure Applications

Designed for low pressure, high shock environments, this range of transducers is widely used in both military and commercial applications.



Kulite recommends the [KSC Series](#) of signal conditioners to maximize the measurement capability of the HKS-LP-375 transducer.



INPUT	Pressure Range	1.7 25	3.5 50	7 100	14 200	21 300	28 BAR 400 PSI
	Operational Mode	Sealed Gage					
	Over Pressure	2 Times Rated Pressure					
	Burst Pressure	3 Times Rated Pressure					
	Pressure Media	Any Liquid or Gas Compatible With 15-5 PH, 316 Stainless Steel and Silicone RTV and Copper Crush Ring					
	Rated Electrical Excitation	5 VDC/AC					
	Maximum Electrical Excitation	7.5 VDC/AC					
	Input Impedance	1000 Ohms (Nom.)					
OUTPUT	Output Impedance	1000 Ohms (Nom.)					
	Full Scale Output (FSO)	100mV (Nom.)					
	Residual Unbalance	± 5 mV (Typ.)					
	Combined Non-Linearity, Hysteresis and Repeatability	± 0.1% FSO BFSL (Typ.) ± 0.5% FSO (Max.)					
	Resolution	Infinitesimal					
	Natural Frequency of Sensor Without RTV (KHz) (Typ.)	190	250	310	400	475	540
ENVIRONMENTAL	Acceleration Sensitivity % FS/g Perpendicular	1.25x10 ⁻³	6.5x10 ⁻⁴	3.5x10 ⁻⁴	1.8x10 ⁻⁴	1.2x10 ⁻⁴	9.3x10 ⁻⁵
	Insulation Resistance	100 Megohm Min. @ 50 VDC					
	Operating Temperature Range	-65°F to +300°F (-55°C to +150°C)					
	Compensated Temperature Range	80°F to +180°F (25°C to +80°C) Any 100°F Range Within The Operating Range on Request					
	Thermal Zero Shift	± 6% FS/100°F (Typ.)					
	Thermal Sensitivity Shift	± 6% /100°F (Typ.)					
PHYSICAL	Linear Vibration	10-2,000 Hz Sine, 100g. (Max.)					
	Mechanical Shock	20,000g. 100 msec.					
	Electrical Connection	4 Conductor 30 AWG Shielded Cable 36" Long					
	Weight	10 Grams (Nom.) Excluding Cable					
Pressure Sensing Principle	Fully Active Four Arm Wheatstone Bridge Dielectrically Isolated Silicon on Silicon						
Mounting Torque	80-120 Inch-Pounds (Max.)						
Diaphragm Coating	Ablative Coating Standard						

Note: Custom pressure ranges, accuracies and mechanical configurations available. Dimensions are in inches. Dimensions in parenthesis are in millimeters. All dimensions nominal. (G) Continuous development and refinement of our products may result in specification changes without notice. Copyright © 2016 Kulite Semiconductor Products, Inc. All Rights Reserved. Kulite miniature pressure transducers are intended for use in test and research and development programs and are not necessarily designed to be used in production applications. For products designed to be used in production programs, please consult the factory.