



5 VDC OUTPUT DIGITALLY CORRECTED PRESSURE TRANSDUCER

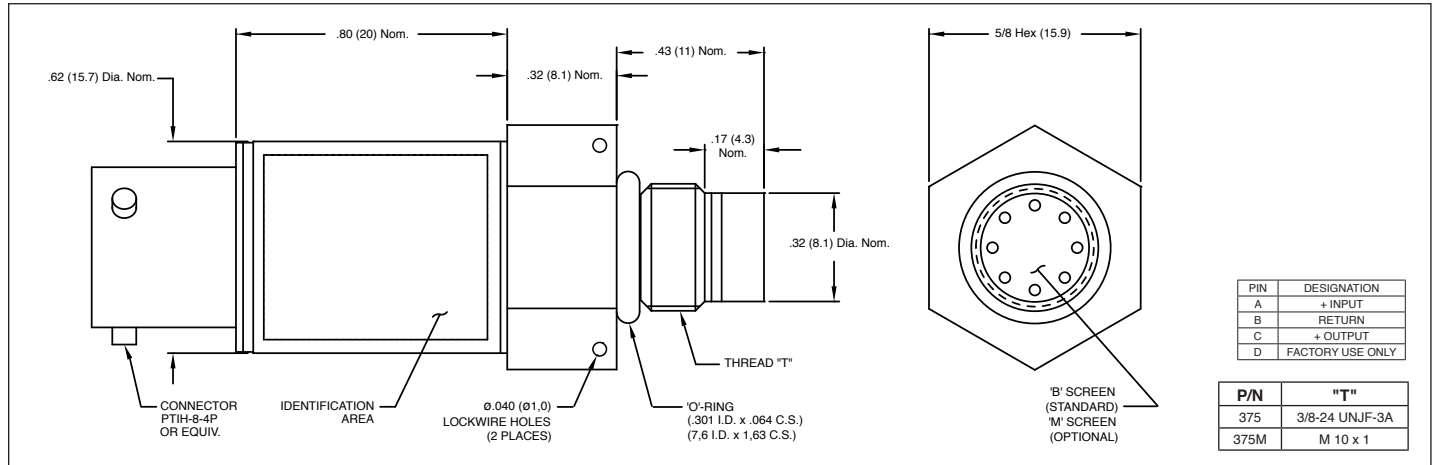
ETL-DC-375 (M) CO SERIES

- 5 VDC Digitally Corrected Output
- Hybrid Microelectronic Regulator-Amplifier
- Patented Leadless Technology VIS®
- All Welded Construction
- Secondary Containment On Absolute And Sealed Gage Units
- Aerospace Quality Components
- Analog Output



ETL-DC-375(M) CO Series transducers are miniature, threaded instruments. The sensing sub-assembly is protected from mechanical damage by a solid screen which has been shown to have minimal influence on the frequency response of the sensor. The ETL Series uses Kulite's Patented Leadless Technology.

Incorporation of a Kulite proprietary electronics module within the main body of this product allows for operation from an unregulated power supply ranging from 8 - 32 VDC with reverse polarity protection available upon request. The result is a stable, digitally corrected 0 to 5 VDC output signal.



	1.7	3.5	7	17	35	70	170	350 BAR
	25	50	100	250	500	1000	2500	5000 PSI
INPUT								
Pressure Range	1.7	3.5	7	17	35	70	170	350 BAR
Operational Mode	Absolute, Sealed Gage							
Over Pressure	2 Times Rated Pressure to 1000 PSI (70 BAR) 1.5 Times Rated Pressure Above 1000 PSI to a Max. of 6000 PSI (420 BAR)							
Burst Pressure	3 Times Rated Pressure to a Max. of 10000 PSI (700 BAR)							
Pressure Media	All Nonconductive, Noncorrosive Liquids or Gases (Most Conductive Liquids and Gases - Please Consult Factory)							
Maximum Electrical Current	25 mA							
Rated Electrical Excitation	8 - 32 VDC							
OUTPUT								
Full Scale Output (FSO)	5 VDC							
Residual Unbalance	0 VDC							
Output Impedance	50 Ohms (Typ.)							
Total Error Band	± 0.5% (Typ.) (End Point Settings, Combined Non-Linearity, Hysteresis, Repeatability and All Thermal Effects Included)							
Bandwidth (-3dB)	DC to 2500 Hz							
Resolution	Infinitesimal							
Insulation Resistance	100 Megohm Min. @ 50 VDC							
ENVIRONMENTAL								
Operating Temperature Range	-40°F to +280°F (-40°C to +140°C) (Max.)							
Compensated Temperature Range	-40°F to +250°F (-40°C to +120°C)							
Linear Vibration	100g Peak, Sine up to 5000 Hz							
Mechanical Shock	100g half Sine Wave 11 msec. Duration							
PHYSICAL								
Electrical Connection	PTIH-8-4P or Equivalent (Mating Connector Available Upon Request)							
Weight	24.5 Grams (Nom.)							
Pressure Sensing Principle	Fully Active Four Arm Wheatstone Bridge Dielectrically Isolated Silicon on Silicon Patented Leadless Technology							
Mounting Torque	80 Inch-Pounds (Max.) (9Nm) Max.							

Note: Custom pressure ranges, accuracies and mechanical configurations available. Dimensions are in inches. Dimensions in parenthesis are in millimeters. All dimensions nominal. (A) Continuous development and refinement of our products may result in specification changes without notice. Copyright © 2020 Kulite Semiconductor Products, Inc. All Rights Reserved. Kulite miniature pressure transducers are intended for use in test and research and development programs and are not necessarily designed to be used in production applications. For products designed to be used in production programs, please consult the factory.