



# MINIATURE 4-20mA OUTPUT PRESSURE TRANSDUCER

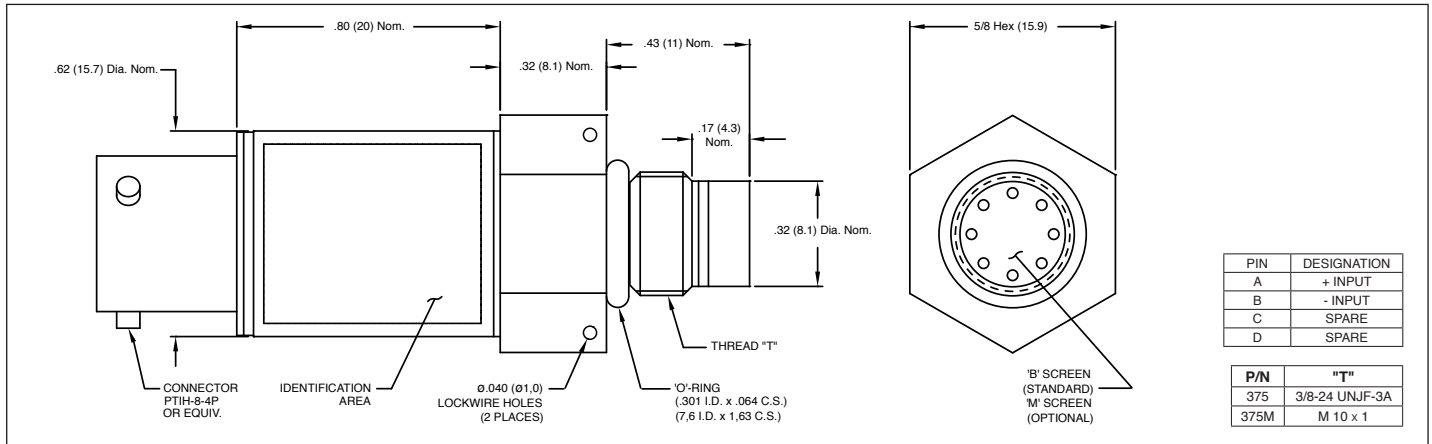
## ETM-200-375 (M) CO SERIES

- 4-20mA Output
- 2 Wire Operation
- Hybrid Microelectronic Signal Conditioner
- Silicon on Silicon Integrated Sensor **VIS®**
- Flush Diaphragm
- All Welded Construction
- Secondary Containment On Absolute And Sealed Gage Units
- Aerospace Quality Components
- 3/8-24 UNJF or M10 X 1 Thread
- Intrinsically Safe Applications Available (i.e. IS-ETM-200-375)



ETM-200-375(M) CO Series transducers employ the same approach to transducer construction as the standard ETM-375(M) Series. The Kulite proprietary electronics module in this product line, however, provides a current output signal (4 to 20 mA). These instruments

are an excellent choice for applications requiring the current output signal but in which space and/or weight are at a premium.



	17	35	70	170	350	700	1400 BAR
Pressure Range	250	500	1000	2500	5000	10000	20000 PSI
Operational Mode	Absolute, Sealed Gage						
Over Pressure	2 Times Rated Pressure to 1000 PSI (70 BAR) 1.5 Times Rated Pressure Above 1000 PSI to a Max. of 25000 PSI (1724 BAR)						
Burst Pressure	3 Times Rated Pressure to a Max. of 25000 PSI (1724 BAR)						
Pressure Media	Any Liquid or Gas Compatible With 15-5 PH or 316 Stainless Steel						
Minimum Voltage Required	9 V Minimum Voltage Required Across The Input and Output Wires						
Rated Electrical Excitation	12 - 32 VDC						
Output	4 - 20 mA						
Bandwidth (-3dB)	DC to 750 Hz						
Combined Non-Linearity, Hysteresis and Repeatability	± 0.1% FSO BFSL (Typ.), ± 0.5% FSO (Max.)						
Resolution	Infinitesimal						
Natural Frequency of Sensor Without Screen (KHz) (Typ.)	Greater Than 400 KHz						
Acceleration Sensitivity % FS/g Perpendicular	2.2x10 <sup>-4</sup>	1.1x10 <sup>-4</sup>	6.2x10 <sup>-5</sup>	2.6x10 <sup>-5</sup>	1.5x10 <sup>-5</sup>	1.3x10 <sup>-5</sup>	8.0x10 <sup>-6</sup>
Insulation Resistance	100 Megohm Min. @ 50 VDC						
Operating Temperature Range	-65°F to +250°F (-55°C to +120°C)						
Compensated Temperature Range	0°F to +212°F (-18°C to +100°C) Other Ranges Quoted on Request						
Thermal Zero Shift	± 1% FS/100° F (Typ.)						
Thermal Sensitivity Shift	± 1% /100° F (Typ.)						
Linear Vibration	100g Peak, Sine up to 5000 Hz						
Mechanical Shock	100g half Sine Wave 11 msec. Duration						
Electrical Connection	PTIH-8-4P or Equivalent (Mating Connector Available Upon Request)						
Weight	24.5 Grams (Max.) Excluding Cable						
Pressure Sensing Principle	Fully Active Four Arm Wheatstone Bridge Dielectrically Isolated Silicon on Silicon						
Mounting Torque	80 Inch-Pounds (Max.)						

Note: Custom pressure ranges, accuracies and mechanical configurations available. Dimensions are in inches. Dimensions in parenthesis are in millimeters. All dimensions nominal. (B) Continuous development and refinement of our products may result in specification changes without notice. Copyright © 2020 Kulite Semiconductor Products, Inc. All Rights Reserved.

Kulite miniature pressure transducers are intended for use in test and research and development programs and are not necessarily designed to be used in production applications. For products designed to be used in production programs, please consult the factory.