



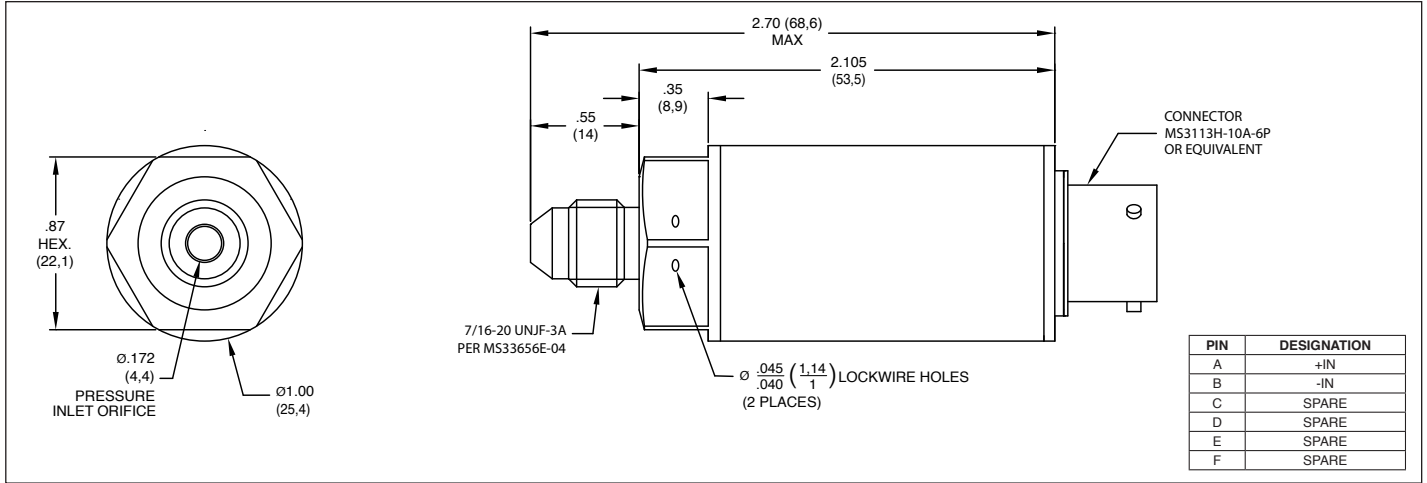
4-20mA OUTPUT DIGITALLY CORRECTED PRESSURE TRANSMITTER

BME-89-1000 Series

- Robust Construction
- High Accuracy
- Digitally Corrected
- Silicon on Silicon Integrated Sensor **VIS®**
- Intrinsically Safe Applications Available (i.e. IS-BME-89-1000)



The BME-89-1000 offers a high accuracy 4-20mA output with a total error band of $\pm 0.25\%$ FSO across the ultra-wide temperature range of -40°F to $+257^{\circ}\text{F}$ (-40°C to $+125^{\circ}\text{C}$). Designed to measure liquid or gas pressure (with its all-welded, hermetic stainless steel construction), the transducer is ideal for road test, flight test, and industrial sensing applications.



	200	500	1000	2000	5000 PSI	
INPUT	Pressure Range (Note 1)	200	500	1000	2000	5000 PSI
	Operational Mode	Absolute				
	Over Pressure	2 Times Rated Pressure				
	Burst Pressure	3 Times Rated Pressure				
	Pressure Media	Any Media Compatible With 316 SS Stainless Steel				
	Rated Electrical Excitation	10-30 VDC (10-24 VDC For IS)				
OUTPUT	Full Scale Output (FSO)	20 mA \pm 0.1 mA DC				
	Total Error Band (Excluding End Points)	$\pm 0.25\%$ FSO (Max.) (Combined Non-Linearity, Hysteresis, Repeatability and All Thermal Effects Included)				
	Response Time	2 milliseconds (Typ.) @ 200 Hz Bandwidth				
	Residual Unbalance	4 mA \pm 0.1 mA DC				
	Insulation Resistance	100 Megohm Min. @ 50 VDC				
ENVIRONMENTAL	Operating Temperature Range	-40°F to $+257^{\circ}\text{F}$ (-40°C to $+125^{\circ}\text{C}$)				
	Compensated Temperature Range	-40°F to $+257^{\circ}\text{F}$ (-40°C to $+125^{\circ}\text{C}$)				
	Humidity	100% Relative Humidity				
PHYSICAL	Electrical Connection	MS3113H-10A-6P Connector or Equivalent				
	Weight	100 Grams (Nom)				
	Pressure Sensing Principle	Fully Active Four Arm Wheatstone Bridge Dielectrically Isolated Silicon on Silicon				
	Mounting Torque	75 Inch-Pounds (Max.) (8.5 Nm)				

Note 1: Custom pressure ranges, accuracies and mechanical configurations available. Dimensions are in inches. Dimensions in parenthesis are in millimeters. All dimensions nominal. (B) Continuous development and refinement of our products may result in specification changes without notice. Copyright © 2020 Kulite Semiconductor Products, Inc. All Rights Reserved. Kulite miniature pressure transducers are intended for use in test and research and development programs and are not necessarily designed to be used in production applications. For products designed to be used in production programs, please consult the factory.