

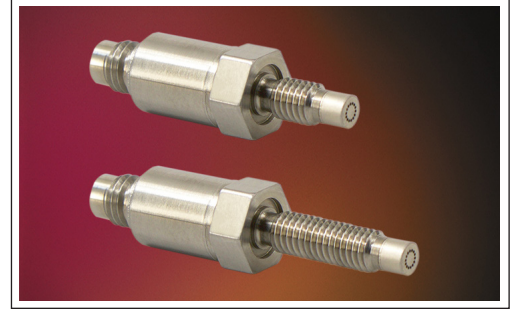


MINIATURE RUGGEDIZED HIGH TEMPERATURE PRESSURE TRANSDUCER

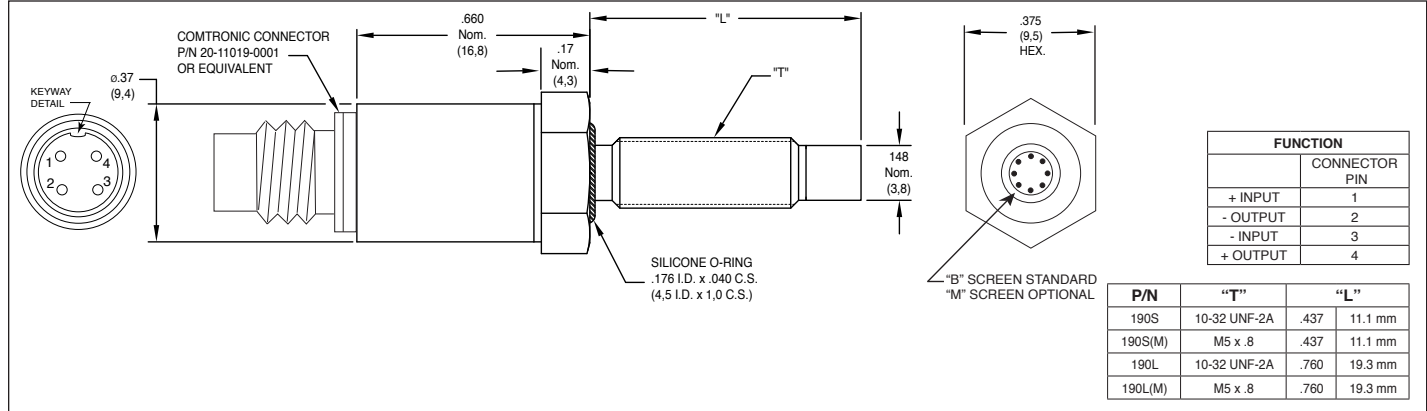
XTE-100-190 (M) SERIES

- Wide Temperature Capability -65°F To 525°F
- Easy Installation
- Silicon on Silicon Integrated Sensor **VIS®**
- High Natural Frequency

The ruggedness of this sensor has not compromised its performance. It was designed for ease of installation and will operate in temperatures up to 525°F (273°C). Its wide operating range (-65°F to +525°F) makes it ideal for numerous applications in Aerospace and other areas of industry.



Kulite recommends the **KSC Series** of signal conditioners to maximize the measurement capability of the XTE-100-190 transducer.



INPUT	Pressure Range	0.35 5	0.7 10	1.0 15	1.7 BAR 25 PSI
	Operational Mode	Absolute		Absolute, Sealed Gage	
	Over Pressure	2 Times Rated Pressure			
	Burst Pressure	3 Times Rated Pressure			
	Pressure Media	All Nonconductive, Noncorrosive Liquids or Gases (All Media May Not Be Suitable With O-Ring Supplied)			
	Rated Electrical Excitation	10 VDC			
	Maximum Electrical Excitation	12 VDC			
	Input Impedance	1000 Ohms (Min.)			
OUTPUT	Output Impedance	1000 Ohms (Nom.)			
	Full Scale Output (FSO)	100 mV (Nom.)			
	Residual Unbalance	± 5 mV (Typ.)			
	Combined Non-Linearity, Hysteresis and Repeatability	± 0.1% FSO BFSL (Typ.), ± 0.5% FSO (Max.)			
	Resolution	Infinitesimal			
	Natural Frequency of Sensor Without Screen (KHz) (Typ.)	150	175	200	240
	Acceleration Sensitivity % FS/g Perpendicular	1.5x10 ⁻³	1.0x10 ⁻³	6.5x10 ⁻⁴	5.0x10 ⁻⁴
	Insulation Resistance	100 Megohm Min. @ 50 VDC			
ENVIRONMENTAL	Operating Temperature Range	-65°F to +525°F (-55°C to +273°C)			
	Compensated Temperature Range	+80°F to +450°F (+25°C to +232°C)			
	Thermal Zero Shift	± 1% FS/100°F (Typ.)			
	Thermal Sensitivity Shift	± 1% /100°F (Typ.)			
	Steady Acceleration	10,000g. (Max.)			
Linear Vibration	10-2,000 Hz Sine, 100g. (Max.)				
PHYSICAL	Electrical Connection	Comtronic Connector P/N 20-11019-0001 or Equivalent (Mating Connector Available Upon Request)			
	Weight	4 Grams (Nom.) Excluding Cable			
	Pressure Sensing Principle	Fully Active Four Arm Wheatstone Bridge Dielectrically Isolated Silicon on Silicon			
	Mounting Torque	15 Inch-Pounds (Max.) 1.7 Nm			

Note: Custom pressure ranges, accuracies and mechanical configurations available. Dimensions are in inches. Dimensions in parenthesis are in millimeters. All dimensions nominal. Continuous development and refinement of our products may result in specification changes without notice. Copyright © 2020 Kulite Semiconductor Products, Inc. All Rights Reserved. Kulite miniature pressure transducers are intended for use in test and research and development programs and are not necessarily designed to be used in production applications. For products designed to be used in production programs, please consult the factory.