

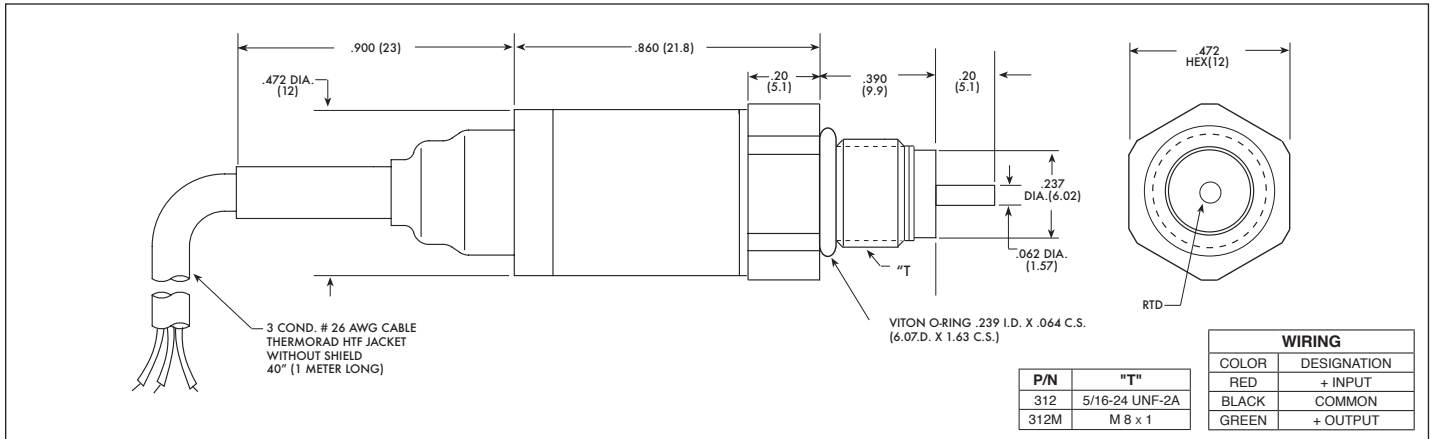


MINIATURE INTEGRATED TEMPERATURE SENSOR

ETS-312 (M) SERIES

- Robust Construction
- Voltage Output
- Excellent Long Term Stability
- Fast Response Time
- High Temperature
- Excellent For High Vibration and Thermal Shock
- Low Self Heating
- High Reliability

The ETS-312 utilizes a thin film platinum temperature sensor which provides a short response time as well as high accuracy and long-term stability over a wide temperature range.



SPECIFICATIONS	Media	Any Fluid Compatible With 15-5 and 316 Stainless Steel (All Media May Not Be Suitable With O-Ring Supplied)
	Pressure Range	3000 PSI (207 Bar) Max
	Rated Electrical Excitation	12 ± 4 VDC
	Full Scale Output	5V ± 3%
	RTD	Platinum Class A RTD Per DIN EN 60751 (IEC 751)
	Residual Unbalance	500 mV ± 50 mV
	Output Type	3 Wire Amplified Single Ended Output
	Resolution	Infinitesimal
	Response Time	2 Sec. (Typ.)
	Insulation Resistance	100 Megohm Min. @ 50 VDC
	Operating Temperature Range	-67°F to +400°F (-55°C to +200°C) (+365°F (185°C) Max. For The Transducer Body)
	Compensated Temperature Range	-40°F to +350°F (-40°C to +175°C)
	Linear Vibration	10-2,000 Hz Sine, 100g (Max.)
	Mechanical Shock	20g half Sine Wave 11 msec. Duration
	Electrical Connection	3 Conductor 26 AWG Thermorad HTF Jacket Without Shield 40" (1 Meter Long)
	Weight	30 Grams (Nom.) Excluding Cable
Mounting Torque	50 Inch-Pounds (Max.) 6Nm	

Note: Custom pressure ranges, accuracies, mechanical configurations and RTD resistance available. Dimensions are in inches. Dimensions in parenthesis are in millimeters. All dimensions nominal. (F) Continuous development and refinement of our products may result in specification changes without notice. Copyright © 2014 Kulite Semiconductor Products, Inc. All Rights Reserved. Kulite miniature pressure transducers are intended for use in test and research and development programs and are not necessarily designed to be used in production applications. For products designed to be used in production programs, please consult the factory.