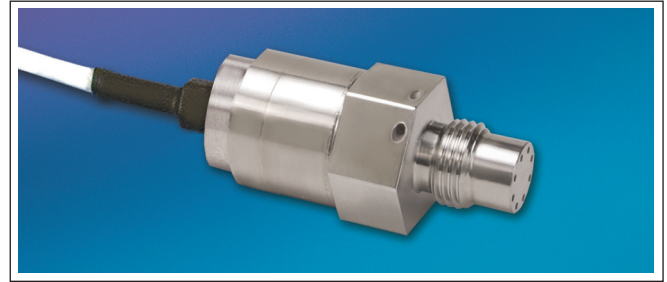




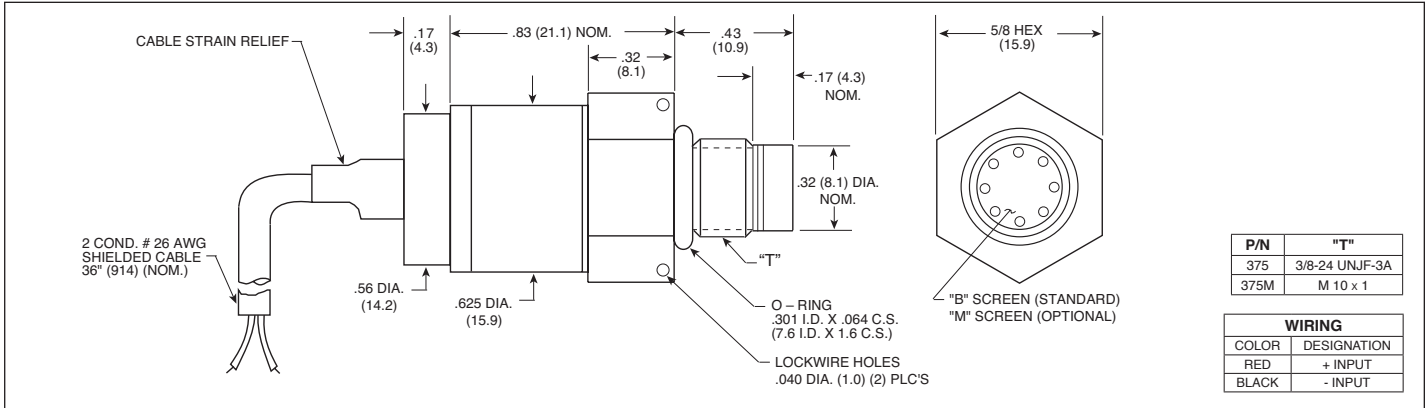
MINIATURE 4-20mA OUTPUT PRESSURE TRANSDUCER ETL-200-375 (M) SERIES

- 4-20mA Output
- 2 Wire Operation
- Hybrid Microelectronic Signal Conditioner
- Patented Leadless Technology **VIS**[®]
- All Welded Construction
- Secondary Containment On Absolute And Sealed Gage Units
- Aerospace Quality Components
- 3/8-24 UNJF or M10 X 1 Thread



ETL-200-375 Series transducers employ the same approach to transducer construction as the standard ETL-375 Series. The ETL Series uses Kulite's Patented Leadless Technology. The Kulite proprietary electronics module in this product line, however, provides

a current output signal (4 to 20 mA). These instruments are an excellent choice for applications requiring the current output signal but in which space and/or weight are at a premium.



| | | | | | | | | | |
|----------------------------|---|---|----------------------|----------------------|----------------------|----------------------|----------------------|----------------------|----------------------|
| INPUT | Pressure Range | 1.7 25 | 3.5 50 | 7 100 | 17 250 | 35 500 | 70 1000 | 170 2500 | 350 5000 |
| | Operational Mode | Absolute, Gage, Sealed Gage | | | | | | | |
| | Over Pressure | 2 Times Rated Pressure to 1000 PSI (70 BAR) 1.5 Times Rated Pressure Above 1000 PSI to a Max. of 6000 PSI (420 BAR) | | | | | | | |
| | Burst Pressure | 3 Times Rated Pressure to a Max. of 10000 PSI (700 BAR) | | | | | | | |
| | Pressure Media | All Nonconductive, Noncorrosive Liquids or Gases (Most Conductive Liquids and Gases - Please Consult Factory) | | | | | | | |
| | Minimum Voltage Required | 9 V Minimum Voltage Required Across The Input and Output Wires | | | | | | | |
| OUTPUT | Rated Electrical Excitation | 12 - 32 VDC | | | | | | | |
| | Output | 4 - 20 mA | | | | | | | |
| | Bandwidth (-3dB) | DC to 750 Hz | | | | | | | |
| | Combined Non-Linearity, Hysteresis and Repeatability | ± 0.1% FSO BFSL (Typ.), ± 0.5% FSO (Max.) | | | | | | | |
| | Resolution | Infinitesimal | | | | | | | |
| | Natural Frequency of Sensor Without Screen (KHz) (Typ.) | Greater Than 400 KHz | | | | | | | |
| ENVIRONMENTAL | Acceleration Sensitivity % FS/g Perpendicular | 1.9x10 ⁻³ | 1.0x10 ⁻³ | 5.2x10 ⁻⁴ | 2.2x10 ⁻⁴ | 1.1x10 ⁻⁴ | 6.2x10 ⁻⁵ | 2.6x10 ⁻⁵ | 1.5x10 ⁻⁵ |
| | Insulation Resistance | 100 Megohm Min. @ 50 VDC | | | | | | | |
| | Operating Temperature Range | -65°F to +250°F (-55°C to +120°C) | | | | | | | |
| | Compensated Temperature Range | 0°F to +212°F (-18°C to +100°C) Other Ranges Quoted on Request | | | | | | | |
| | Thermal Zero Shift | ± 1% FS/100° F (Typ.) | | | | | | | |
| | Thermal Sensitivity Shift | ± 1% /100° F (Typ.) | | | | | | | |
| PHYSICAL | Linear Vibration | 100g Peak, Sine up to 5000 Hz | | | | | | | |
| | Mechanical Shock | 100g half Sine Wave 11 msec. Duration | | | | | | | |
| | Electrical Connection | 2 Conductor 26 AWG Shielded Cable 36" Long | | | | | | | |
| | Weight | 24.5 Grams (Max.) Excluding Cable | | | | | | | |
| Pressure Sensing Principle | Fully Active Four Arm Wheatstone Bridge Dielectrically Isolated Silicon on Silicon Patented Leadless Technology | | | | | | | | |
| Mounting Torque | 80 Inch-Pounds (Max.) | | | | | | | | |

Note: Custom pressure ranges, accuracies and mechanical configurations available. Dimensions are in inches. Dimensions in parenthesis are in millimeters. All dimensions nominal. (P) Continuous development and refinement of our products may result in specification changes without notice. Copyright © 2014 Kulite Semiconductor Products, Inc. All Rights Reserved. Kulite miniature pressure transducers are intended for use in test and research and development programs and are not necessarily designed to be used in production applications. For products designed to be used in production programs, please consult the factory.