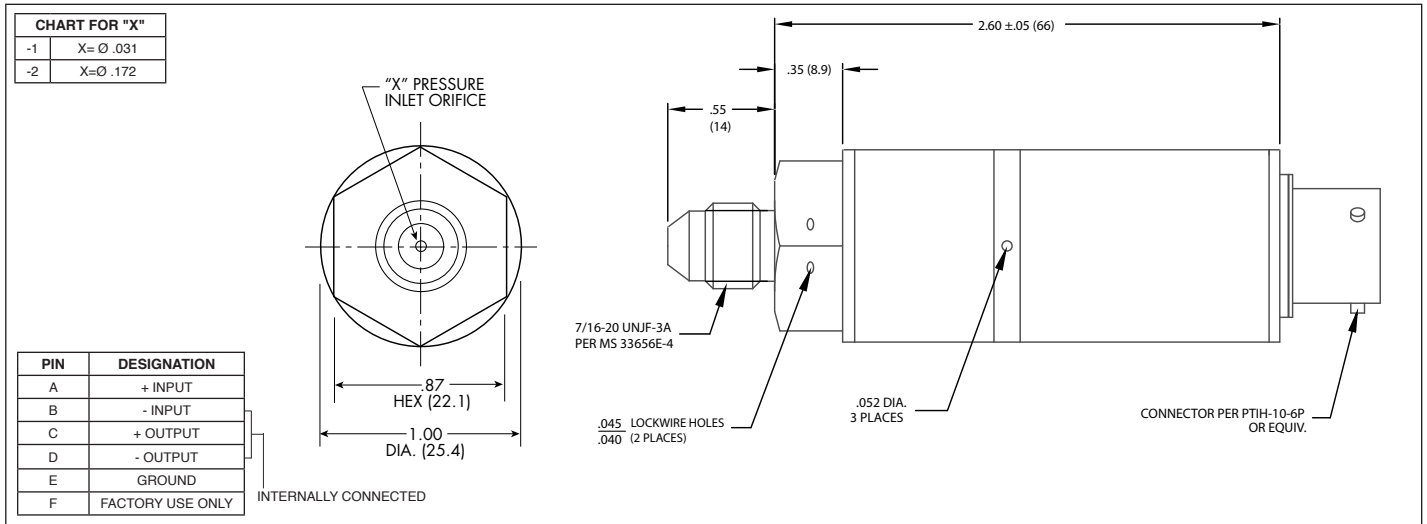
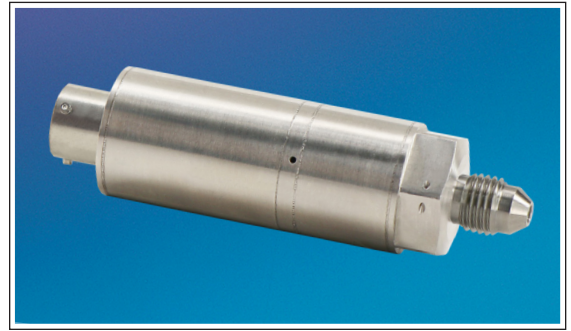




**VOLTAGE OUTPUT DIGITALLY CORRECTED GAGE
PRESSURE TRANSDUCER
BME-76-1100 GAGE SERIES**

- Robust Construction
- High Accuracy
- Digitally Corrected
- Silicon on Silicon Integrated Sensor **VIS®**

The BME-76-1100 Gage digitally corrected transducer offers high accuracy with a total error band of $\pm 0.25\%$ FSO, inclusive of all errors over a wide temperature range of -40°F to $+250^{\circ}\text{F}$. The ingenious application of modern solid state technology to transducer sensing makes the BME-76-1100 Gage Series the most advanced pressure transducer available. Designed to measure liquid or gas pressure, the transducer is of all-welded stainless steel construction, with integral pressure port and diaphragm.



	1.7	3.5	7	17	35	70	140	350 BAR	
	25	50	100	250	500	1000	2000	5000 PSI	
INPUT	Pressure Range	1.7	3.5	7	17	35	70	140	350 BAR
	Operational Mode	Gage							
	Over Pressure	2 Times Rated Pressure to a Maximum of 5000 PSI (350 BAR)							
	Burst Pressure	5 Times Rated Pressure to a Maximum of 5000 PSI (350 BAR)							
	Pressure Media	Any Media Compatible With 316 SS and 15-5 PH Stainless Steel							
	Rated Electrical Excitation	8 - 32 VDC							
	Maximum Electrical Current	25 mA (Max.)							
OUTPUT	Output Impedance	750 Ohms (Max.)							
	Full Scale Output (Net)	4.0 VDC ± .025 VDC							
	Total Error Band (Excluding End Points)	± 0.25% FSO (Max.) (Combined Non-Linearity, Hysteresis, Repeatability and All Thermal Effects Included)							
	Bandwidth (-3dB)	DC to 10 KHz							
	Residual Unbalance	0.5 VDC ± .025 VDC							
	Resolution	Infinitesimal							
	Acceleration Sensitivity % FS/g Perpendicular	1.9x10 ⁻³	1.0x10 ⁻³	5.2x10 ⁻⁴	2.2x10 ⁻⁴	1.1x10 ⁻⁴	6.2x10 ⁻⁵	2.6x10 ⁻⁵	1.5x10 ⁻⁵
ENVIRONMENTAL	Insulation Resistance	100 Megohm Min. @ 50 VDC							
	Operating Temperature Range	-40°F to +265°F (-40°C to +130°C)							
	Compensated Temperature Range	-40°F to +250°F (-40°C to +120°C)							
	Linear Vibration	50g Peak, Sine 10 to 2000 Hz							
	Humidity	100% Relative Humidity							
PHYSICAL	Mechanical Shock	100g half Sine Wave 11 msec. Duration							
	Electrical Connection	PTIH-10-6P Connector or Equivalent							
	Weight	110 Grams							
	Pressure Sensing Principle	Fully Active Four Arm Wheatstone Bridge Dielectrically Isolated Silicon on Silicon							
	Mounting Torque	100 Inch-Pounds (Max.)							

Note: Custom pressure ranges, accuracies and mechanical configurations available. Dimensions are in inches. Dimensions in parenthesis are in millimeters. All dimensions nominal. Continuous development and refinement of our products may result in specification changes without notice. Copyright © 2014 Kulite Semiconductor Products, Inc. All Rights Reserved.