

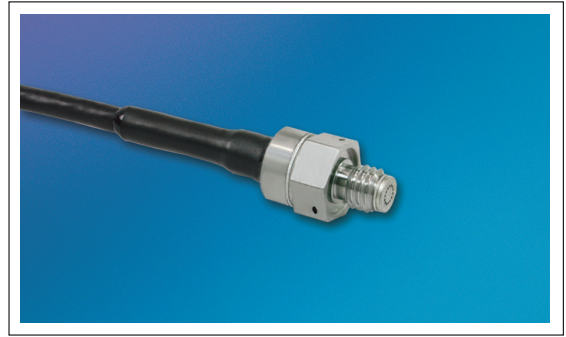


RUGGEDIZED AUTOMOTIVE PRESSURE TRANSDUCERS

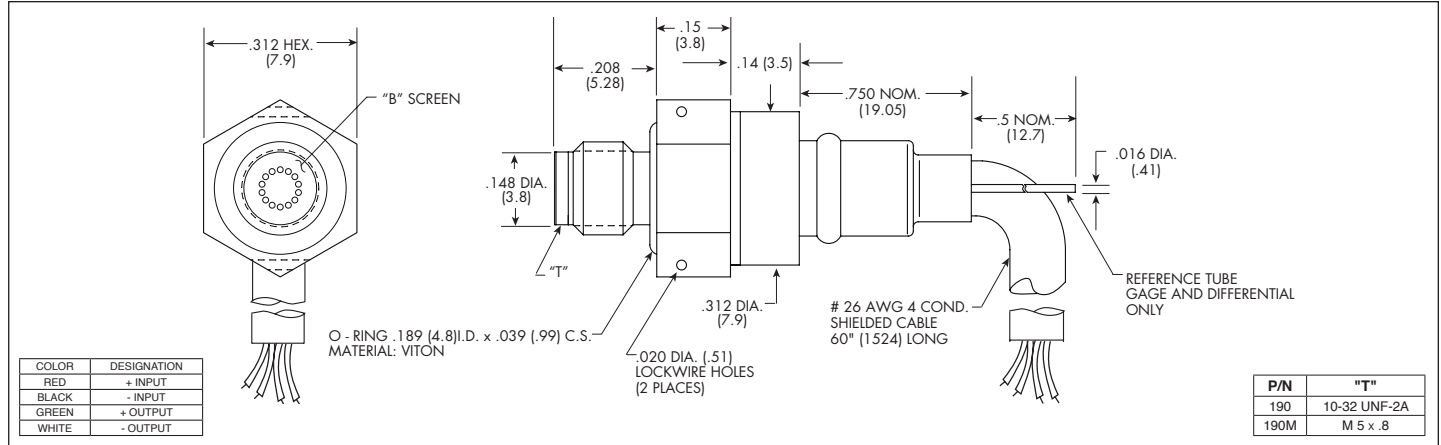
XTL-HA-123G-190 (M) SERIES

- Easy Installation
- High Natural Frequency
- 10-32 UNF or M 5 x .8 Thread
- Wide Temperature Range
- Compatible With Most Automotive Fluids
- High Accuracy
- Patented Leadless Technology VIS®

HIGH ACCURACY



Kulite recommends the **KSC Series** of signal conditioners to maximize the measurement capability of the XTL-HA-123G-190 transducer.



	1.0 15	1.7 25	3.5 50	7 100	17 250	35 500	70 1000	210 BAR 3000 PSI
INPUT								
Pressure Range								
Operational Mode	Absolute, Gage, Differential	Absolute, Sealed Gage, Gage, Differential				Absolute, Sealed Gage		
Over Pressure	2 Times Rated Pressure to 500 PSI (35 BAR), 1.5 Times Rated Pressure Above 500 PSI (35 BAR)							
Burst Pressure	3 Times Rated Pressure to a Maximum of 4500 PSI (315 BAR)							
Pressure Media	All Nonconductive, Noncorrosive Liquids or Gases (Most Conductive Liquids and Gases - Please Consult Factory)							
Rated Electrical Excitation	10 VDC							
Maximum Electrical Excitation	12 VDC							
Input Impedance	1000 Ohms (Min.), 5000 Ohms (Max.)							
OUTPUT								
Output Impedance	2000 Ohms (Max.)							
Full Scale Output (FSO)	100 mV ± 10 mV							
Residual Unbalance	± 5 mV (Typ.)							
Combined Non-Linearity, Hysteresis and Repeatability	± 0.1% FSO BFSL (Typ.), ± 0.5% FSO (Max.)							
Resolution	Infinitesimal							
Natural Frequency of Sensor Without Screen (KHz) (Typ.)	Greater Than 175 KHz							
Acceleration Sensitivity % FS/g Perpendicular	6.5x10 ⁻⁴	5.0x10 ⁻⁴	3.0x10 ⁻⁴	1.5x10 ⁻⁴	1.0x10 ⁻⁴	6.0x10 ⁻⁵	4.5x10 ⁻⁵	2.0x10 ⁻⁵
Insulation Resistance	100 Megohm Min. @ 50 VDC							
ENVIRONMENTAL								
Operating Temperature Range	-40°F to +400°F (-40°C to +204°C)							
Compensated Temperature Range	-40°F to +350°F (-40°C to +175°C)							
Total Error Band Over Compensated Temperature Range	± 2% FS BFSL, Includes Thermal Sensitivity Shift, Thermal Zero Shift And Static Error Band Over Compensated Temperature Range (Typ.)							
Linear Vibration	100g Peak, Sine Up to 5000 Hz							
Mechanical Shock	100g half Sine Wave 11 msec. Duration							
PHYSICAL								
Electrical Connection	4 Conductor 26 AWG Shielded Viton Cable 60" Long							
Weight	5 Grams (Nom.) Excluding Cable							
Pressure Sensing Principle	Fully Active Four Arm Wheatstone Bridge Dielectrically Isolated Silicon on Silicon Patented Leadless Technology							
Mounting Torque	15 Inch-Pounds							

Note: Custom pressure ranges, accuracies and mechanical configurations available. Dimensions are in inches. Dimensions in parenthesis are in millimeters. All dimensions nominal. (C) Continuous development and refinement of our products may result in specification changes without notice. Copyright © 2016 Kulite Semiconductor Products, Inc. All Rights Reserved. Kulite miniature pressure transducers are intended for use in test and research and development programs and are not necessarily designed to be used in production applications. For products designed to be used in production programs, please consult the factory.