

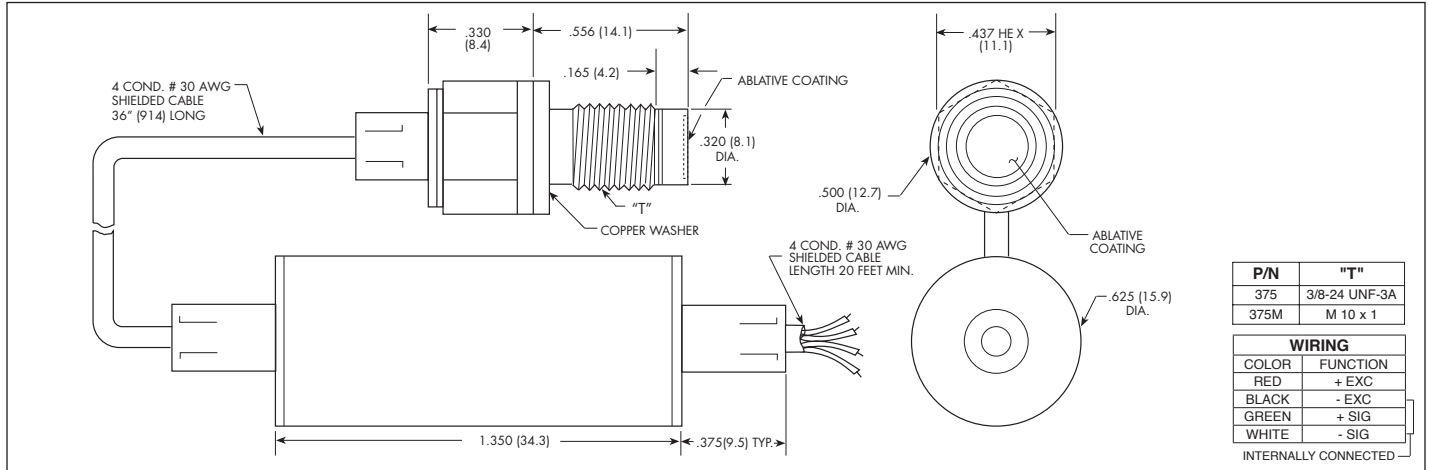


LOW PRESSURE 5VDC OUTPUT RUGGEDIZED PRESSURE TRANSDUCER

ETS-LP-375 (M) SERIES

- 5 VDC Output
- Hybrid Microelectronic Regulator-Amplifier
- Very High Natural Frequency
- Designed For Shock Pressure Applications
- Silicon on Silicon Integrated Sensor **VIS®**

Designed for low pressure, high shock environments, this range of transducers is widely used in shock pressure applications, now mated with an external in-line amplifier for a high level 5 Volt DC output



INPUT	Pressure Range	1.7 25	3.5 50	7 100	14 200	21 300	28 BAR 400 PSI
	Operational Mode	Sealed Gage					
	Over Pressure	2 Times Rated Pressure					
	Burst Pressure	3 Times Rated Pressure					
	Pressure Media	Any Liquid or Gas Compatible With 15-5 PH, 316 Stainless Steel and Silicone RTV (All Media May Not Be Suitable With Crush Ring Supplied)					
	Maximum Electrical Current	25 mA					
	Rated Electrical Excitation	12 ± 4 VDC			28 ± 4 VDC		
OUTPUT	Full Scale Reading	5 VDC ± 150mV			5 VDC ± 150mV or 10 VDC ± 300mV		
	Output Impedance	200 Ohms (Max.)					
	Bandwidth (-3dB) Amplifier Only	DC Up to 150 KHz					
	Residual Unbalance	500 mV ± 50 mV					
	Combined Non-Linearity, Hysteresis and Repeatability	± 0.1% FSO BFSL (Typ.) ± 0.5% FSO (Max.)					
	Resolution	Infinitesimal					
	Natural Frequency of Sensor Without Ablative Coating (KHz) (Typ.)	190	250	310	400	475	540
	Acceleration Sensitivity % FS/g Perpendicular	1.25x10 ⁻³	6.5x10 ⁻⁴	3.5x10 ⁻⁴	1.8x10 ⁻⁴	1.2x10 ⁻⁴	9.3x10 ⁻⁵
	Insulation Resistance	100 Megohm Min. @ 50 VDC					
	ENVIRONMENTAL	Operating Temperature Range	-65°F to +250°F (-55°C to +120°C)				
Compensated Temperature Range		0°F to +212°F (-18°C to +100°C)					
Thermal Zero Shift		2% FS/100°F (Typ.)					
Thermal Sensitivity Shift		2% /100°F (Typ.)					
Linear Vibration		10-2,000 Hz Sine, 100g. (Max.)					
PHYSICAL	Mechanical Shock	20g half Sine Wave 11 msec. Duration					
	Electrical Connection	4 Conductor 30 AWG Shielded Cable					
	Weight	10 Grams (Nom.) Excluding Cable and Amplifier					
	Pressure Sensing Principle	Fully Active Four Arm Wheatstone Bridge Dielectrically Isolated Silicon on Silicon					
	Mounting Torque	80-120 Inch-Pounds (Max.)					
Diaphragm Coating	Ablative Coating Standard						

Note: Custom pressure ranges, accuracies and mechanical configurations available. Dimensions are in inches. Dimensions in parenthesis are in millimeters. All dimensions nominal. (A) Continuous development and refinement of our products may result in specification changes without notice. Copyright © 2016 Kulite Semiconductor Products, Inc. All Rights Reserved. Kulite miniature pressure transducers are intended for use in test and research and development programs and are not necessarily designed to be used in production applications. For products designed to be used in production programs, please consult the factory.