



MINIATURE 5VDC OUTPUT PRESSURE TRANSDUCER

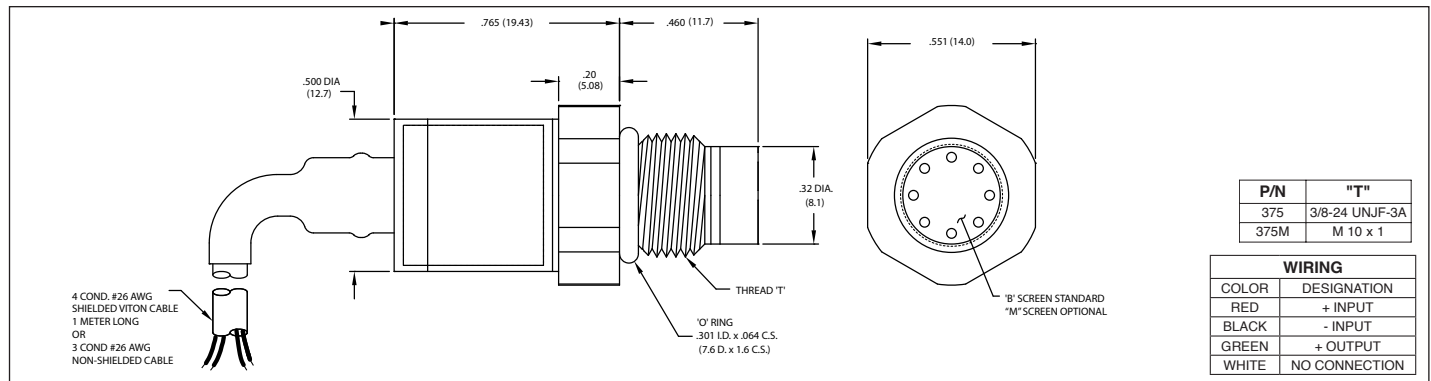
ETL-500-375(M)

- Smallest High Performance Amplified Transducer Worldwide
- Rugged Design Provides Compatibility With Most Corrosive and Conductive Media
- Patented Leadless Technology VIS[®]
- High Over Pressure Capability
- Designed and Engineered For Severe Environmental Conditions



The ETL-500-375M Series transducers are miniature, threaded instruments. The sensing subassembly is protected from mechanical damage by a solid screen which has been shown to have minimal influence on the frequency response of the sensor. The ETL Series uses Kulite's Patented Leadless

Technology. Incorporation of a Kulite proprietary electronics module within the main body of this product allows for operation from an unregulated power supply ranging from 8 to 16 VDC. Part performance not guaranteed if used in water.



INPUT	Pressure Range	1 15	2 29	5 BAR 73 PSI
	Operational Mode	Absolute, Sealed Gage		
	Over Pressure	2 Times Rated Pressure (<500 PSI) (35 BAR) 1.5 x Rated Pressure ≥ 500 PSI (35 BAR)		
	Burst Pressure	3 Times Rated Pressure		
	Pressure Media	Most Conductive Liquids and Gases - Please Consult Factory (All Media May Not Be Suitable With O-Ring Supplied)		
	Rated Electrical Excitation	12 ± 4 VDC		
	Maximum Electrical Current	25 mA (Max.)		
OUTPUT	Output Impedance	< 25 Ohms (Typ.)		
	Full Scale Reading	4.5V ± 75 mV		
	Bandwidth (-3dB)	DC to 5 KHz		
	Residual Unbalance	500 mV ± 75 mV		
	Combined Non-Linearity, Hysteresis and Repeatability	± 0.1% FSO BFSL (Typ.), ± 0.25% FSO (Max.)		
	Resolution	Infinitesimal		
	Acceleration Sensitivity % FS/g Perpendicular	6.5x10 ⁻⁴	4.2x10 ⁻⁴	2.3x10 ⁻⁴
ENVIRONMENTAL	Insulation Resistance	> 100 Megohm Min. @ 50 VDC		
	Operating Temperature Range	-40°F to 302°F (-40°C to 150°C)		
	Compensated Temperature Range	68°F to 257°F (20°C to 125°C)		
	Zero Shift	± 1.4% FSO / 100°F (± 2.5% FSO / 100°C) (Typ.)		
	Sensitivity Shift	± 1.4% / 100°F (± 2.5% / 100°C) (Typ.)		
PHYSICAL	Linear Vibration	20g Peak, Sine 10 to 2000 Hz		
	Mechanical Shock	20g Half Sine Wave 11 msec. Duration		
	Electrical Connection	3 Cond #26 AWG Non-Shielded Cable or 4 Cond #26 AWG Shielded Cable 1 Meter Long		
	Weight	18 Grams (Max.) Excluding Cable		
	Pressure Sensing Principle	Fully Active Four Arm Wheatstone Bridge Dielectrically Isolated Silicon on Silicon Patented Leadless Technology		
Mounting Torque	70 Inch-Pounds (Max.) 8Nm			

Note: Custom pressure ranges, accuracies and mechanical configurations available. Dimensions are in inches. Dimensions in parenthesis are in millimeters. All dimensions nominal. (E) Continuous development and refinement of our products may result in specification changes without notice. Copyright © 2019 Kulite Semiconductor Products, Inc. All Rights Reserved. Kulite miniature pressure transducers are intended for use in test and research and development programs and are not necessarily designed to be used in production applications. For products designed to be used in production programs, please consult the factory.