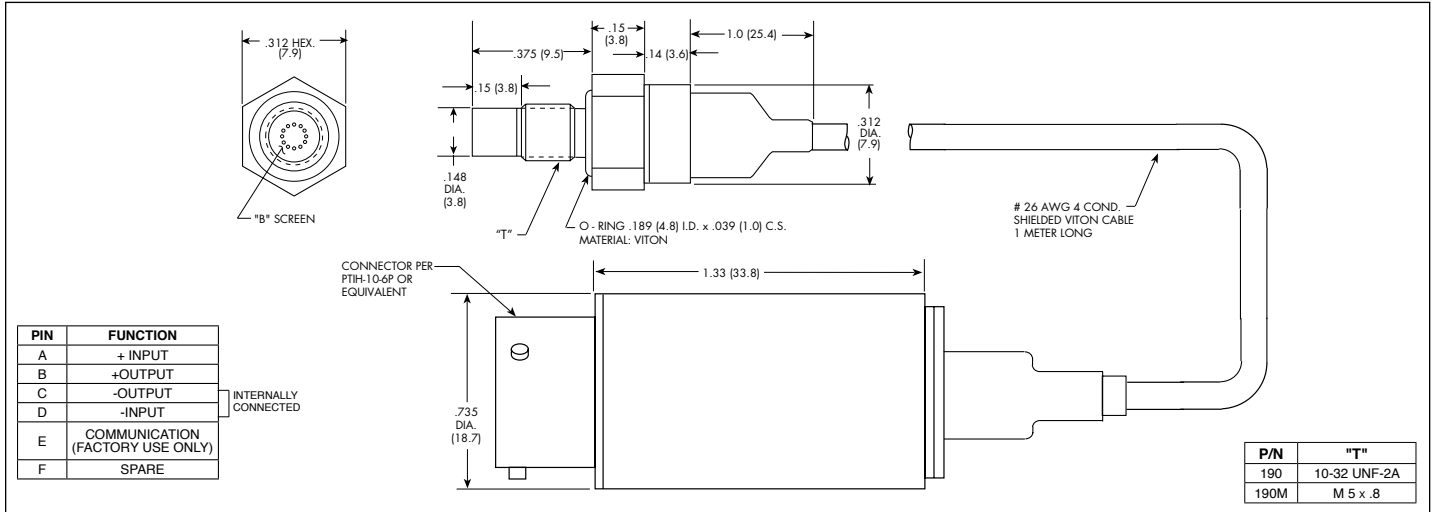
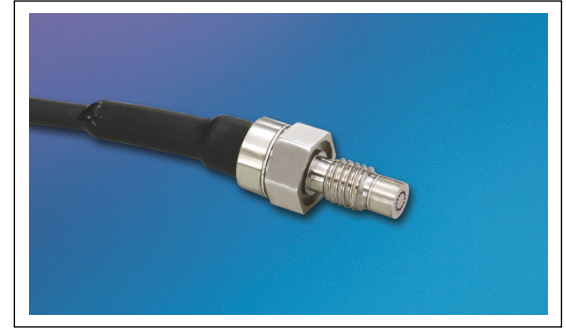




**ULTRA MINIATURE 5 VDC OUTPUT
DIGITALLY CORRECTED RUGGEDIZED
AUTOMOTIVE PRESSURE TRANSDUCER**

XTL-2DC-123BA6-190 (M) SERIES

- Automotive Testing Applications
- Patented Leadless Technology **VIS**[®]
- High Accuracy
- .15% T.E.B. Typical
- Compatible With Most Automotive Fluids



INPUT	Pressure Range	1.7 25	3.5 50	7 100	17 250	35 BAR 500 PSI
	Operational Mode	Absolute, Sealed Gage				
	Over Pressure	2 Times Rated Pressure to a Max. of 1000 PSI (70 BAR)				
	Burst Pressure	3 Times Rated Pressure to a Max. of 1500 PSI (100 BAR)				
	Pressure Media	All Nonconductive, Noncorrosive Liquids or Gases (Most Conductive Liquids and Gases - Please Consult Factory)				
	Maximum Electrical Current	25 mA (Max.)				
	Rated Electrical Excitation	8 - 32 VDC				
OUTPUT	Output	0 to 5 V				
	Output Impedance	200 Ohms (Typ.)				
	Total Error Band	± 0.3% (Max.) ± 0.15% (Typ.) (End Point Settings, Combined Non-Linearity, Hysteresis, Repeatability And All Thermal Effects Included)				
	Resolution	Infinitesimal				
	Bandwidth (KHz)	3.5 KHz				
	Acceleration Sensitivity % FS/g Perpendicular	5.0x10 ⁻⁴	3.0x10 ⁻⁴	1.5x10 ⁻⁴	1.0x10 ⁻⁴	6.0x10 ⁻⁵
	Insulation Resistance	100 Megohm Min. @ 50 VDC				
ENVIRONMENTAL	Operating Temperature Range	-40°F to +400°F (-40°C to +204°C) (Viton O-Ring Rated 0°F to +450°F (-18°C to +232°C) Amplifier -40°F to +265°F (-40°C to +130°C)				
	Compensated Temperature Range	32°F to +250°F (0°C to +120°C)				
	Linear Vibration	100g Peak, Sine Up to 5000 Hz				
	Mechanical Shock	100g half Sine Wave 11 msec. Duration				
PHYSICAL	Electrical Connection	4 Conductor 26 AWG Shielded Viton Cable 1 Meter Long				
	Weight	25 Grams (Nom.) Excluding Cable				
	Sensing Principle	Fully Active Four Arm Wheatstone Bridge Dielectrically Isolated Silicon on Silicon Patented Leadless Technology				
	Mounting Torque	15 Inch-Pounds (Max.)				

Note: Custom pressure ranges, accuracies and mechanical configurations available. Dimensions are in inches. Dimensions in parenthesis are in millimeters. All dimensions nominal. (T) Continuous development and refinement of our products may result in specification changes without notice. Copyright © 2014 Kulite Semiconductor Products, Inc. All Rights Reserved. Kulite miniature pressure transducers are intended for use in test and research and development programs and are not necessarily designed to be used in production applications. For products designed to be used in production programs, please consult the factory.