



5 VDC OUTPUT DIGITALLY CORRECTED PRESSURE TRANSDUCER

ETL-DC-375 (M) SERIES

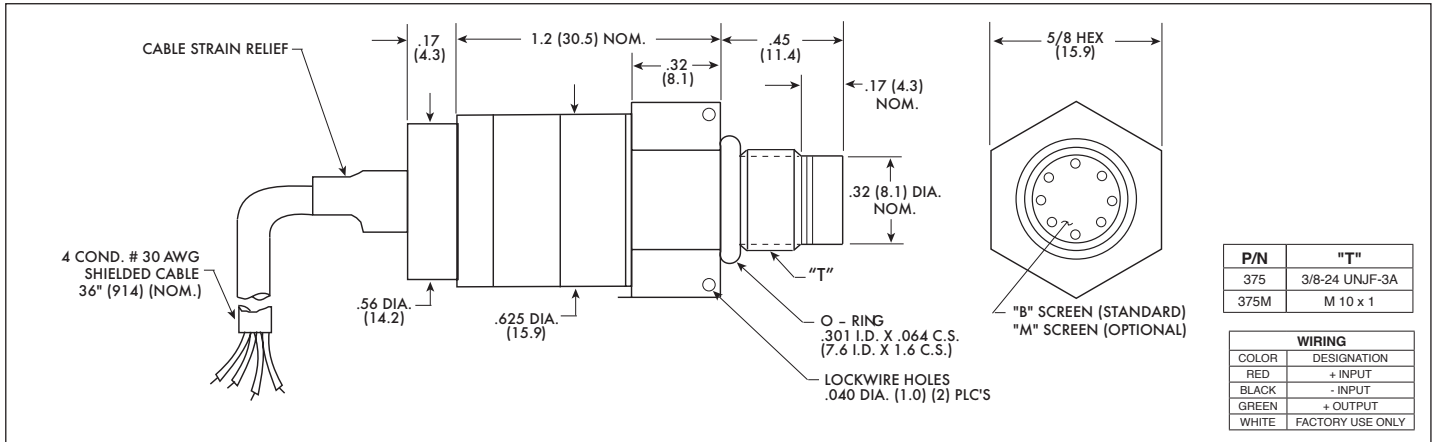
- 5 VDC Digitally Corrected Output
- Hybrid Microelectronic Regulator-Amplifier
- Patented Leadless Technology VIS®
- All Welded Construction
- Secondary Containment On Absolute And Sealed Gage Units
- Aerospace Quality Components
- Analog Output



ETL-DC-375 Series transducers are miniature, threaded instruments. The sensing sub-assembly is protected from mechanical damage by a solid screen which has been shown to have minimal influence on the frequency response of the sensor. The ETL Series uses Kulite's Patented Leadless Technology.

Incorporation of a Kulite proprietary electronics module within the main body of this product allows for operation from an unregulated power supply ranging from 8 - 32 VDC with reverse polarity protection available upon request. The result is a stable, digitally corrected 0 to 5 VDC output signal.

Part performance not guaranteed if used in water.



INPUT	Pressure Range	1.7 25	3.5 50	7 100
	Operational Mode	Absolute, Sealed Gage		
	Pressure Media	All Nonconductive, Noncorrosive Liquids or Gases (Most Conductive Liquids and Gases - Please Consult Factory)		
	Maximum Electrical Current	25 mA		
	Rated Electrical Excitation	8 - 32 VDC		
OUTPUT	Full Scale Output (FSO)	5 VDC		
	Residual Unbalance	0 VDC		
	Output Impedance	50 Ohms (Typ.)		
	Total Error Band	± 0.5% (Typ.) (End Point Settings, Combined Non-Linearity, Hysteresis, Repeatability and All Thermal Effects Included)		
	Bandwidth (-3dB)	DC to 2500 Hz		
	Resolution	Infinitesimal		
ENVIRONMENTAL	Insulation Resistance	100 Megohm Min. @ 50 VDC		
	Operating Temperature Range	-40°F to +280°F (-40°C to +140°C) (Max.)		
	Compensated Temperature Range	-40°F to +250°F (-40°C to +120°C)		
	Linear Vibration	20g Peak, Sine 10 to 2000 Hz		
PHYSICAL	Mechanical Shock	20g Half Sine Wave 11 msec. Duration		
	Electrical Connection	4 Conductor 30 AWG Shielded Cable 36" (914) Long		
	Weight	24.5 Grams (Max.) Excluding Cable		
	Pressure Sensing Principle	Fully Active Four Arm Wheatstone Bridge Dielectrically Isolated Silicon on Silicon Patented Leadless Technology		
Mounting Torque	80 Inch-Pounds (Max.) (9Nm) Max.			

Note: Custom pressure ranges, accuracies and mechanical configurations available. Dimensions are in inches. Dimensions in parenthesis are in millimeters. All dimensions nominal. (R) Continuous development and refinement of our products may result in specification changes without notice. Copyright © 2014 Kulite Semiconductor Products, Inc. All Rights Reserved. Kulite miniature pressure transducers are intended for use in test and research and development programs and are not necessarily designed to be used in production applications. For products designed to be used in production programs, please consult the factory.