



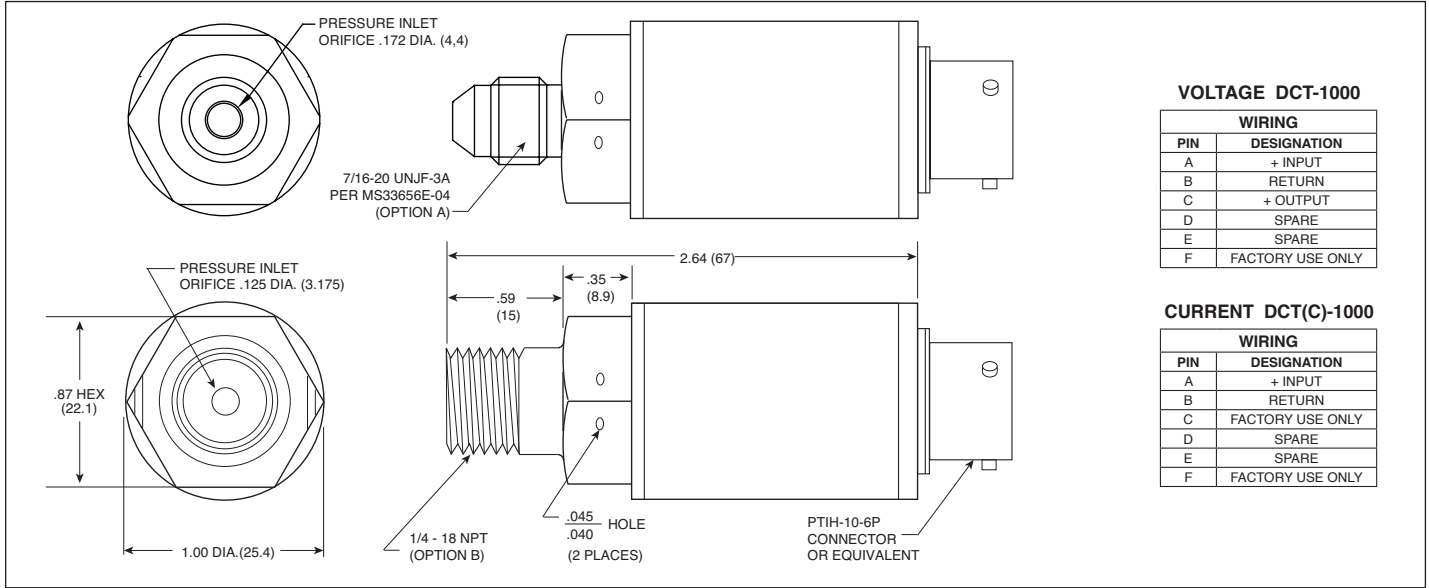
INDUSTRIAL OEM AMPLIFIED PRESSURE TRANSDUCERS

DCT-1000 SERIES DCT(C)-1000 SERIES

- .5 to 5V Voltage Output (DCT)
- 4 mA - 20 mA Current Output (DCT(C))
- Digitally Corrected
- Factory Programmable Full Scale Output
- Rugged All Welded Construction
- High Overload Capability
- For High Reliability Commercial Applications
- Intrinsically Safe Applications Available (i.e. IS-DCT-1000 or IS-DCT(C)-1000)



By coupling Kulite's unique solid state sensor with a miniature, state-of-the-art IC, Kulite is able to offer the most advanced industrial pressure transducer available on the market today. Designed to measure liquid or gas pressure, the transducer is of all-welded stainless steel construction, with integral pressure port and diaphragm. The DCT(C)-1000 provides an extremely rugged, accurate and inexpensive means for pressure-to-voltage conversion. The ability to withstand high voltages between leads and cases make the DCT(C)-1000 Series transducers ideally suited for a large number of applications.



	1.7 25	3.5 50	7 100	17 250	35 500	70 1000	170 2500	350 BAR 5000 PSI
INPUT								
Pressure Range								
Operational Mode	Absolute, Sealed Gage							
Over Pressure	2 Times Rated Pressure to 1000 PSI (70 BAR) 1.5 Times Rated Pressure Above 1000 PSI							
Burst Pressure	3 Times Rated Pressure							
Pressure Media	Any Liquid or Gas Compatible With 15-5 PH or 316 SS							
Maximum Electrical Current	25 mA							
Rated Electrical Excitation	9 V - 32 V							
OUTPUT								
Output	.5 to 5V or .5 to 10V Voltage Output or 4 mA - 20 mA Current Output							
Output Impedance	50 Ohms (Typ.)							
Total Error Band	±0.25% FSO Total Error (Typ.), ± 0.5% FSO Total Error (Max.) (End Point Settings, Combined Non-Linearity, Hysteresis, Repeatability and All Thermal Effects Included)							
Bandwidth (-3dB)	DC to 2500 Hz							
Resolution	Infinitesimal							
Insulation Resistance	100 Megohm Min. @ 50 VDC							
ENVIRONMENTAL								
Operating Temperature Range	-65°F to +280°F (-55°C to +140°C)							
Compensated Temperature Range	-40°F to +250°F (-40°C to +120°C)							
Linear Vibration	20g Peak, Sine 10 to 2000 Hz							
Humidity	100% Relative Humidity							
Mechanical Shock	20g half Sine Wave 11 msec. Duration							
PHYSICAL								
Pressure Port	A. 33656/E4 7/16-20 UNJF-3A		B. 1/4"-18 NPT Male		C. Other Ports Available			
Electrical Connection	PTIH-10-6P or Equivalent							
Weight	100 Grams Approx.							
Pressure Sensing Principle	Fully Active Four Arm Wheatstone Bridge Dielectrically Isolated Silicon on Silicon							
Mounting Torque	80-100 Inch-Pounds (Max.)							

Note: Shunt calibration available.

Note: TEDs application optional.

Note: Custom pressure ranges, accuracies and mechanical configurations available. Dimensions are in inches. Dimensions in parenthesis are in millimeters. All dimensions nominal. (O) Continuous development and refinement of our products may result in specification changes without notice. Copyright © 2014 Kulite Semiconductor Products, Inc. All Rights Reserved.