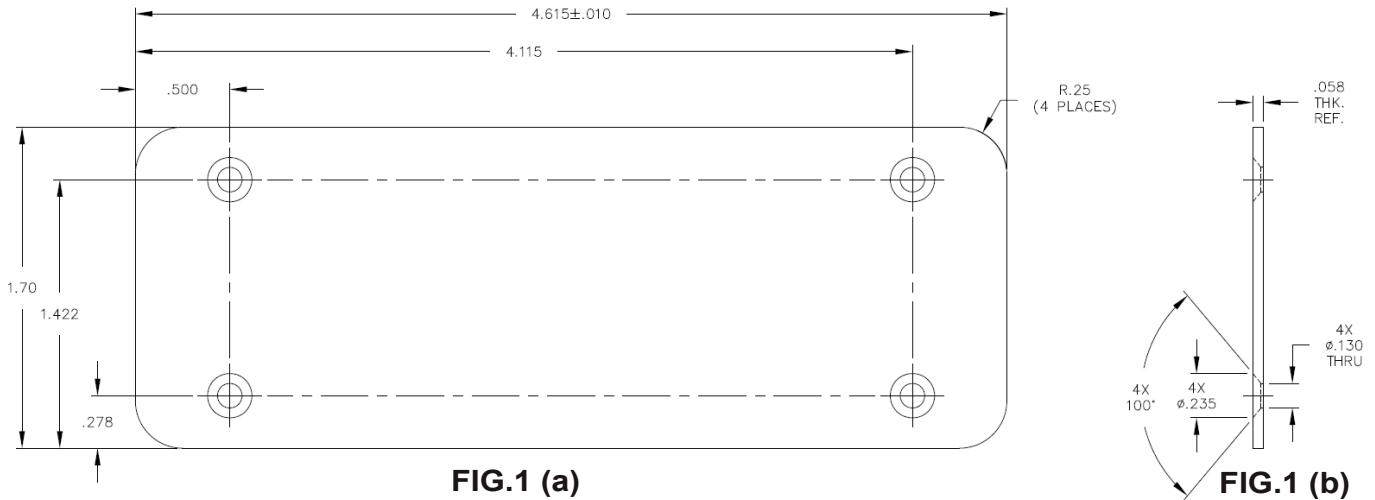


# KSC-2 SIGNAL CONDITIONER MOUNTING HARDWARE

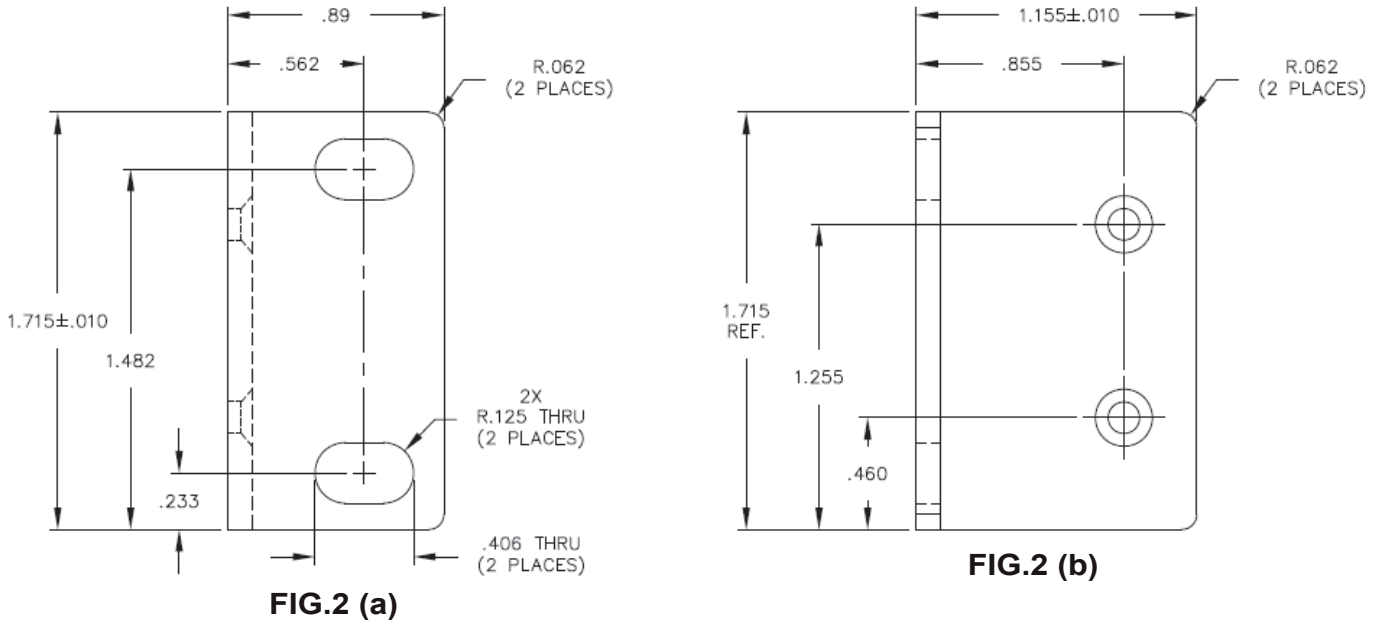
## KSC-2 Link Plate (Kulite Part Number: 200-B-84801) - Figure 1

Recommended Material: .058 Thick Cold Rolled Steel



## KSC-2 Rack Mount Ear (Kulite Part Number: 200-B-84802) - Figure 2

Recommended Material: .100 Thick 5052-H32 Aluminum

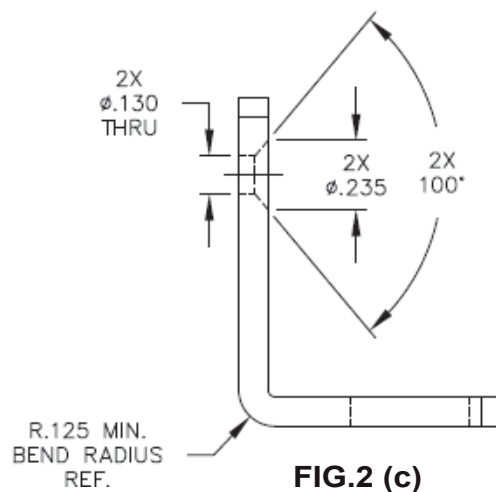


Refer to Section 2.5 of the KSC-2 manual for additional information regarding KSC-2 mounting configurations

### CAUTION

Use only the preinstalled flat-head Phillips screws when installing the link plates and rack ears. Other screws may damage the system hardware

If color matching is required, paint hardware Pantone® 3005



Note: Dimensions are in inches. All dimensions nominal.