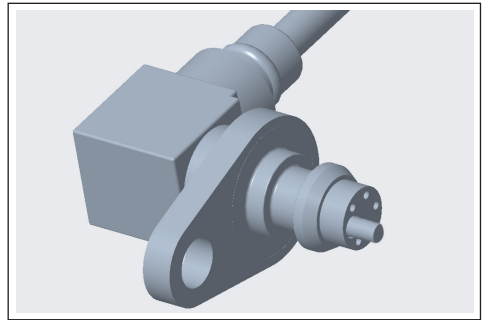




# FLANGE MOUNT ULTRAMINIATURE 5V OUTPUT PRESSURE TRANSDUCER WITH INTEGRATED TEMPERATURE SENSOR

## KZSL/T-400R SERIES

- Combined Pressure and Temperature Capability
- Robust Construction
- Excellent Long Term Stability
- Patented Leadless Technology VIS®
- Designed For Industrial And Automotive Applications

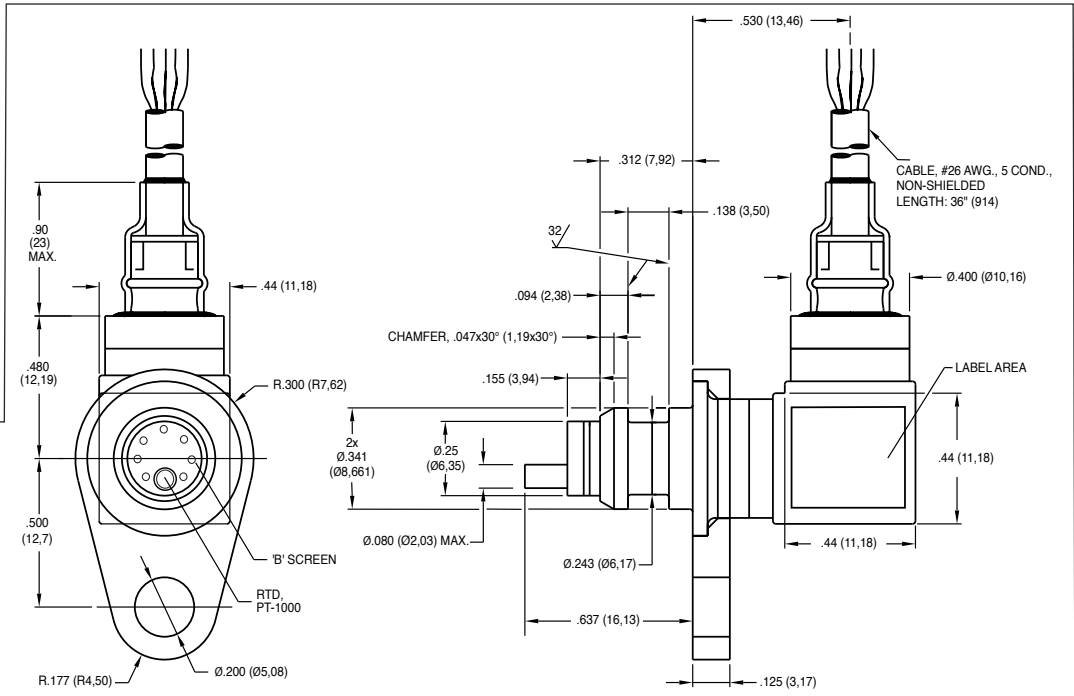


The KZSL/T-400R is a miniature flange mount pressure transducer/platinum RTD combination. The pressure transducer utilizes a patented silicon on silicon design. The platinum RTD protrudes beside the diaphragm to sense media temperature. The pressure and temperature devices are designed to operate independently. All wetted parts of the transducer are compatible with most automotive fluids.

Part performance not guaranteed if used in water. For Installation Drawing, refer to **Installation Standard Series**, Page 3.

Suggested O-Ring:  
 .208 I.D. x .070 C.S.  
 (Not Supplied by Kulite)  
 Suggested Back-Up Ring:  
 .234 I.D. x .340 O.D. x .053 Wide

WIRING	
RED	+ IN
BLACK	COMMON
GREEN	+ OUT
WHITE	TEMP. OUT
BLUE	TEMP. OUT



	2	5	10	15	20	50	100	150	200	250 BAR
Pressure Range	29	72	145	217	290	725	1450	2175	2900	3625 PSI
Operational Mode	Absolute, Sealed Gage									
Over Pressure	2 Times Rated Pressure to 500 PSI (35 BAR) 1.5 Times Rated Pressure Above 500 PSI (35 BAR) to a Maximum of 7500 PSI (517 BAR)									
Burst Pressure	3 Times Rated Pressure to a Maximum of 7500 PSI (517 BAR)									
Pressure Media	Any Liquid or Gas Compatible with 15-5 S/S, Kovar and SiO <sub>2</sub>									
Maximum Electrical Current	25 mA									
Rated Electrical Excitation	8 to 16 VDC									
RTD Excitation	0.3mA (1mA Max.)									
Full Scale Reading	4.5V ± 1.5% (3 Wire System Single Ended Output)									
Residual Unbalance	0.5V ± 75mV									
Output Impedance	<1000 Ohms									
RTD	1000 Ohms Platinum, DIN EN 60751 Tables, Class A (65% Response Time 3 Seconds Max.) in Liquid									
Sensor Response Time	0.7 ms (Nom.)									
Combined Non-Linearity, Hysteresis and Repeatability	± 0.1% BFSL (Typ.), ± 0.25% BFSL (Max.)									
Resolution	Infinitesimal									
Insulation Resistance	100 Megohm Min. @ 50 VDC									
Operating Temperature Range	-67°F to +365°F (-55°C to +185°C)									
Compensated Temperature Range	+68°F to +347°F (+20°C to +175°C)									
Total Error Band (Excluding End Points)	± 2% FS/100°C					± 1% FS/100°C				
Linear Vibration	50g Peak, Sine 130-5000 Hz. (Max.)									
Mechanical Shock	20g half Sine Wave 11 msec. Duration									
Electrical Connection	5 Conductor 26 AWG Non-Shielded Cable 36" (914) Long									
Weight	15 Grams (Nom) Excluding Cable									
Pressure Sensing Principle	Fully Active Four Arm Wheatstone Bridge Dielectrically Isolated Silicon on Silicon Patented Leadless Technology									

Note: Custom pressure ranges, accuracies, mechanical configurations and RTD resistance available. Dimensions are in inches. Dimensions in parenthesis are in millimeters. All dimensions nominal. (C) Continuous development and refinement of our products may result in specification changes without notice. Copyright © 2022 Kulite Semiconductor Products, Inc. All Rights Reserved. Kulite miniature pressure transducers are intended for use in test and research and development programs and are not necessarily designed to be used in production applications. For products designed to be used in production programs, please consult the factory.