

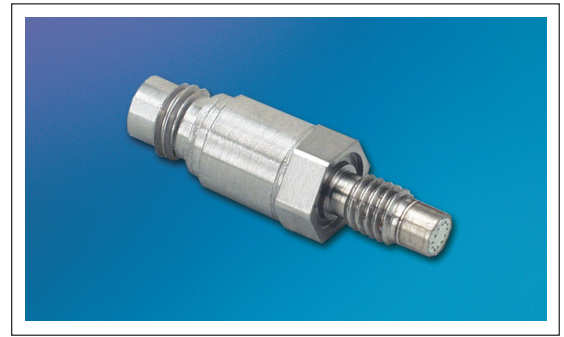


RUGGEDIZED AUTOMOTIVE PRESSURE TRANSDUCERS

XTL-HA-142B-190 (M) SERIES

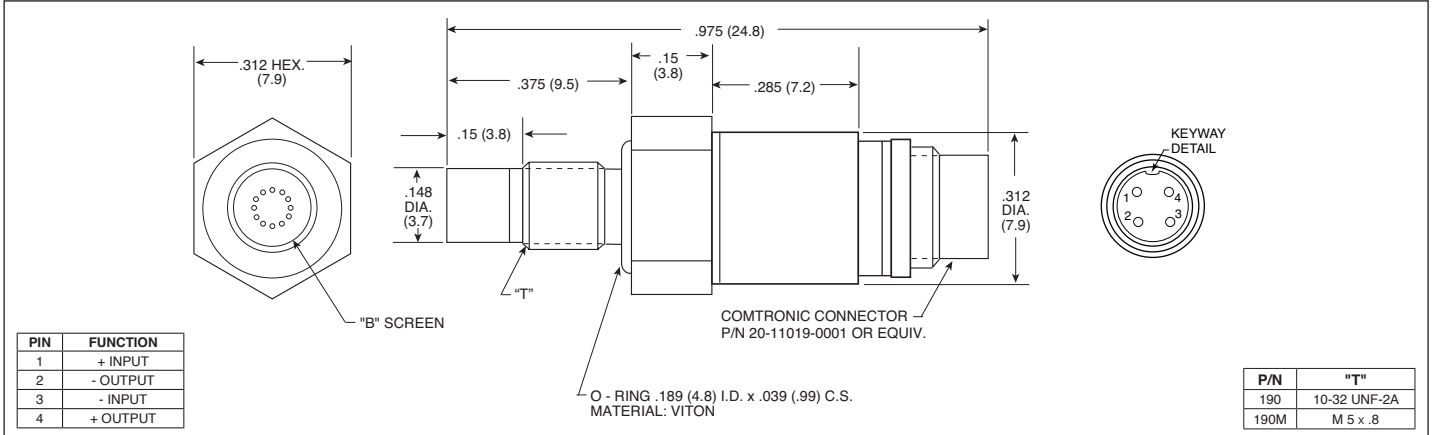
- Easy Installation With Integral Connector
- High Natural Frequency
- 10-32 UNF or M 5 x .8 Thread
- Wide Temperature Range
- Compatible With Most Automotive Fluids
- High Accuracy
- Patented Leadless Technology **VIS**[®]

HIGH ACCURACY



Part performance not guaranteed if used in water.

Kulite recommends the **KSC Series** of signal conditioners to maximize the measurement capability of the XTL-HA-142B-190 transducer.



	1.0	1.7	3.5	7	17	35	70	140	210 BAR
Pressure Range	15	25	50	100	250	500	1000	2000	3000 PSI
Operational Mode	Absolute		Absolute, Sealed Gage						
Over Pressure	2 Times Rated Pressure to a Maximum of 4500 PSI (315 BAR)								
Burst Pressure	3 Times Rated Pressure to a Maximum of 4500 PSI (315 BAR)								
Pressure Media	All Nonconductive, Noncorrosive Liquids or Gases (Most Conductive Liquids and Gases - Please Consult Factory)								
Rated Electrical Excitation	10 VDC								
Maximum Electrical Excitation	12 VDC								
Input Impedance	2000 Ohms (Min.), 5000 Ohms (Max.)								
Output Impedance	2000 Ohms (Max.)								
Full Scale Output (FSO)	100 mV (Min.)								
Residual Unbalance	± 5 mV (Typ.)								
Combined Non-Linearity, Hysteresis and Repeatability	± 0.1% FSO BFSL (Typ.), ± 0.3% FSO (Max.)								
Resolution	Infinitesimal								
Natural Frequency of Sensor Without Screen (KHz) (Typ.)	Greater Than 175 KHz								
Acceleration Sensitivity % FS/g Perpendicular	6.5x10 ⁻⁴	5.0x10 ⁻⁴	3.0x10 ⁻⁴	1.5x10 ⁻⁴	1.0x10 ⁻⁴	6.0x10 ⁻⁵	4.5x10 ⁻⁵	2.0x10 ⁻⁵	2.0x10 ⁻⁵
Insulation Resistance	100 Megohm Min. @ 50 VDC								
Operating Temperature Range	-65°F to +390°F (-55°C to +200°C)								
Compensated Temperature Range	-40°F to +350°F (-40°C to +175°C)								
Total Error Band Over Compensated Temperature Range, BFSL	± 2% FS, Includes Thermal Sensitivity Shift, Thermal Zero Shift And Static Error Band Over Compensated Temperature Range (Typ.)								
Linear Vibration	20g Peak, Sine 10 to 2000 Hz								
Mechanical Shock	20g Half Sine Wave 11 msec. Duration								
Electrical Connection	Comtronic Connector P/N 20-11019-0001 or Equivalent (Mating Connector Available Upon Request)								
Weight	5 Grams (Nom.)								
Pressure Sensing Principle	Fully Active Four Arm Wheatstone Bridge Dielectrically Isolated Silicon on Silicon Patented Leadless Technology								
Mounting Torque	15 Inch-Pounds								

Note: Custom pressure ranges, accuracies and mechanical configurations available. Dimensions are in inches. Dimensions in parenthesis are in millimeters. All dimensions nominal. (P) Continuous development and refinement of our products may result in specification changes without notice. Copyright © 2014 Kulite Semiconductor Products, Inc. All Rights Reserved. Kulite miniature pressure transducers are intended for use in test and research and development programs and are not necessarily designed to be used in production applications. For products designed to be used in production programs, please consult the factory.