



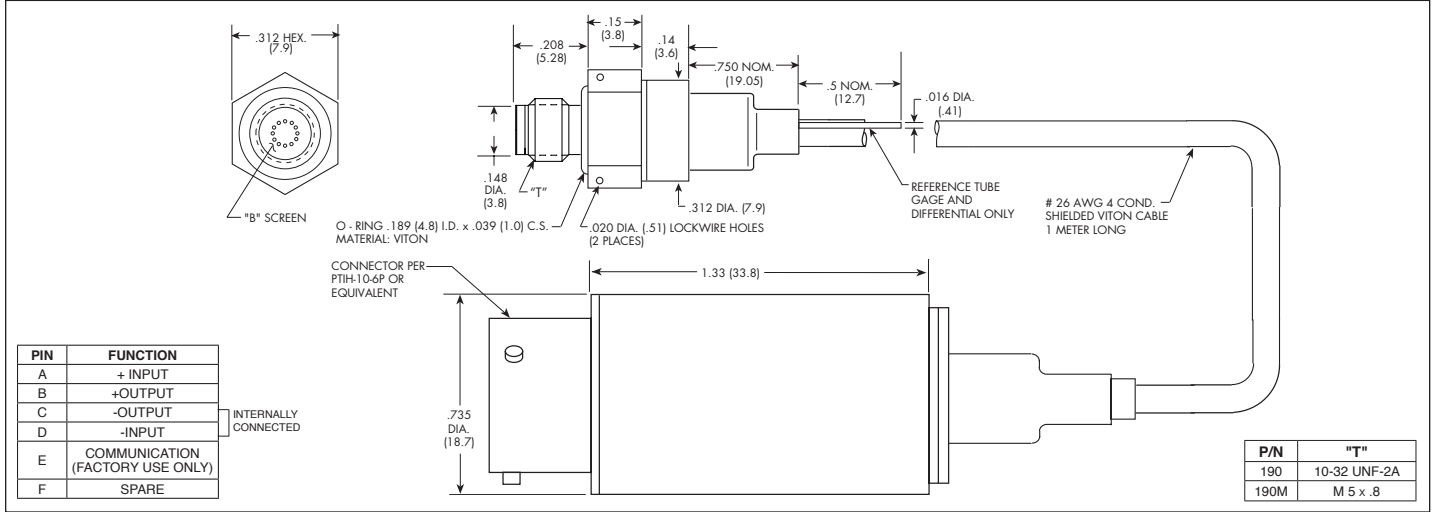
**ULTRA MINIATURE 5 VDC OUTPUT
DIGITALLY CORRECTED RUGGEDIZED
AUTOMOTIVE PRESSURE TRANSDUCER**

XTL-2DC-123GA6-190 (M) SERIES

- Automotive Testing Applications
- Patented Leadless Technology **VIS**[®]
- High Accuracy
- .15% T.E.B. Typical
- Compatible With Most Automotive Fluids



Part performance not guaranteed if used in water.



	1.0 15	1.7 25	3.5 50	7 100	17 250	35 500	70 1000	100 1500	210 BAR 3000 PSI	
INPUT	Pressure Range									
	Operational Mode	Absolute, Gage, Differential	Absolute, Sealed Gage, Gage, Differential				Absolute, Sealed Gage			
	Over Pressure	2 Times Rated Pressure to a Maximum of 4500 PSI (315 BAR)								
	Burst Pressure	3 Times Rated Pressure to a Maximum of 4500 PSI (315 BAR)								
	Pressure Media	All Nonconductive, Noncorrosive Liquids or Gases (Most Conductive Liquids and Gases - Please Consult Factory)								
	Maximum Electrical Current	25 mA (Max.)								
	Rated Electrical Excitation	8 - 32 VDC								
OUTPUT	Output	0 to 5 V								
	Output Impedance	200 Ohms (Typ.)								
	Total Error Band	± 0.3% (Max.) ± 0.15% (Typ.) (End Point Settings, Combined Non-Linearity, Hysteresis, Repeatability And All Thermal Effects Included)								
	Resolution	Infinitesimal								
	Bandwidth (KHz)	3.5 KHz								
	Acceleration Sensitivity % FS/g Perpendicular	6.5x10 ⁻⁴	5.0x10 ⁻⁴	3.0x10 ⁻⁴	1.5x10 ⁻⁴	1.0x10 ⁻⁴	6.0x10 ⁻⁵	4.5x10 ⁻⁵	3.5x10 ⁻⁵	2.0x10 ⁻⁵
ENVIRONMENTAL	Insulation Resistance	100 Megohm Min. @ 50 VDC								
	Operating Temperature Range	-40°F to +390°F (-40°C to +200°C) Amplifier -40°F to +250°F (-40°C to +121°C)								
	Compensated Temperature Range	32°F to +250°F (0°C to +120°C)								
	Linear Vibration	20g Peak, Sine 10 to 2000 Hz								
PHYSICAL	Mechanical Shock	20g Half Sine Wave 11 msec. Duration								
	Electrical Connection	4 Conductor 26 AWG Shielded Viton Cable 1 Meter Long								
	Weight	25 Grams (Nom.) Excluding Cable								
	Sensing Principle	Fully Active Four Arm Wheatstone Bridge Dielectrically Isolated Silicon on Silicon Patented Leadless Technology								
Mounting Torque	15 Inch-Pounds (Max.)									

Note: Custom pressure ranges, accuracies and mechanical configurations available. Dimensions are in inches. Dimensions in parenthesis are in millimeters. All dimensions nominal. (G) Continuous development and refinement of our products may result in specification changes without notice. Copyright © 2016 Kulite Semiconductor Products, Inc. All Rights Reserved. Kulite miniature pressure transducers are intended for use in test and research and development programs and are not necessarily designed to be used in production applications. For products designed to be used in production programs, please consult the factory.