



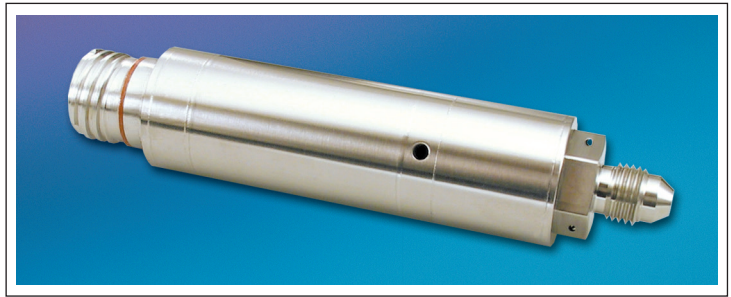
## ELECTRONIC PRESSURE SWITCH

### EPS-1000 SERIES

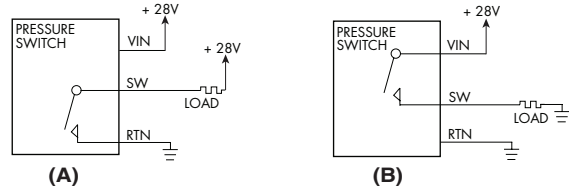
- Solid State Patented Silicon Technology
- No Moving Parts
- High Reliability, MTBF 100,000 Hours Minimum
- Hermetically Sealed and EMI Protected
- Fully Qualified - RTCA/DO-160D
- Flight Certified TSO C47 or Equivalent
- Various Load Configurations Capability
- Intrinsically Safe Applications Available (i.e. IS-EPS-1000)



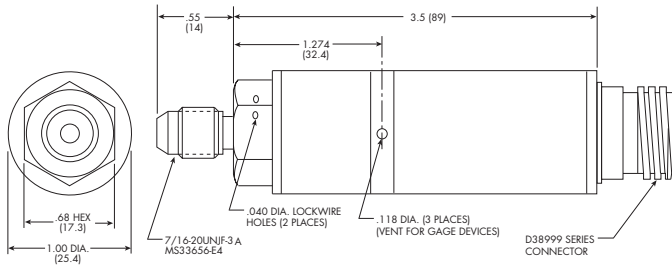
This Electronic Pressure Switch incorporates Kulite Patented Silicon on Silicon integrated pressure sensors and custom electronics to exceed mechanical switch performance. This results in a high reliability switch which has been certified to over 1,000,000 cycles. A third input lead is required to provide the electronics power when the switch is activated.



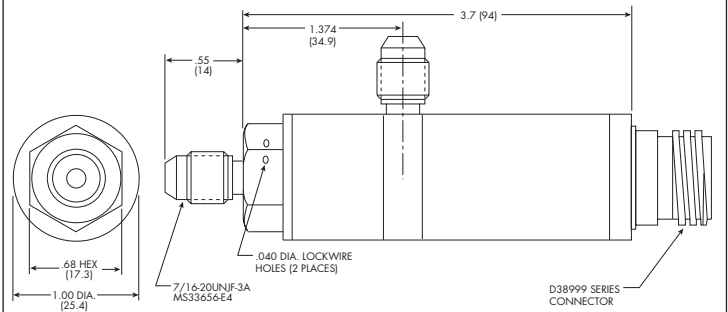
### BASIC LOAD CONFIGURATIONS



### GAGE



### DIFFERENTIAL



INPUT	Pressure Range	10 to 5000 PSI
	Operational Mode	Absolute, Gage, Differential
	Over Pressure	2 Times Rated Pressure
	Burst Pressure	3 Times Rated Pressure
	Pressure Media	Any Liquid or Gas Compatible With 15-5PH or 316 SS
	Electrical Configuration	(A) or (B)
	Rated Electrical Excitation	28 VDC (Also +5V, +12V, +15V, etc. Available)
OUTPUT	Maximum Electrical Excitation	33 VDC
	Switching Electrical Ratings	250mA / 40V Standard (Higher Ratings Available)
	Switch Point Accuracy	± 2% of Rated Pressure (Typ.)
	Switch Operational Mode	Normally Open (NO) or Normally Closed (NC)
	Dead Band (Hysteresis)	1% of Rated Pressure (Typ.) (Other Values Available)
ENVIRONMENTAL	Operating Temperature Range	-65°F to +257°F (-55°C to +125°C)
	Altitude	Unaffected
	Humidity	100% Relative Humidity
	Mechanical Shock	100g half Sine Wave 11 msec. Duration
PHYSICAL	Electrical Connection	D38999 Series Connector - Electrical Connection Per Customer Specification
	Weight	220 Grams (Max.)
	Pressure Fittings	MS33656-E4

Note: Optional separate analog output available

Optional configurations and specifications available on request (e.g. multiple switch points, complementary outputs, tighter accuracy, wider hysteresis, etc.)

Note: Custom pressure ranges, accuracies and mechanical configurations available. Dimensions are in inches. Dimensions in parenthesis are in millimeters. All dimensions nominal. (F) Continuous development and refinement of our products may result in specification changes without notice. Copyright © 2014 Kulite Semiconductor Products, Inc. All Rights Reserved.