

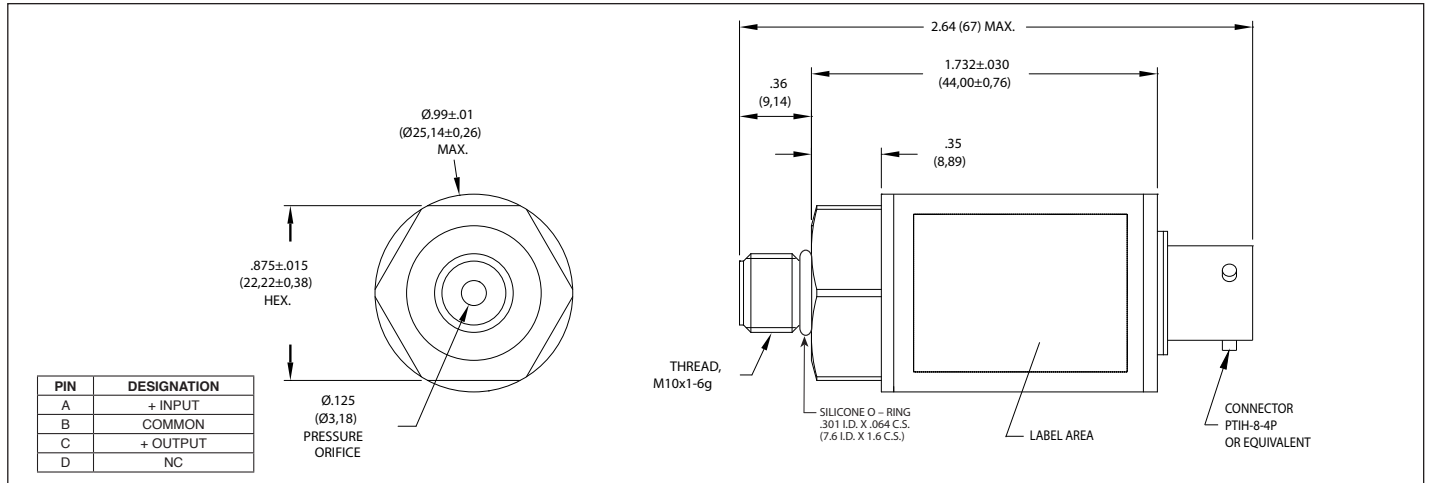
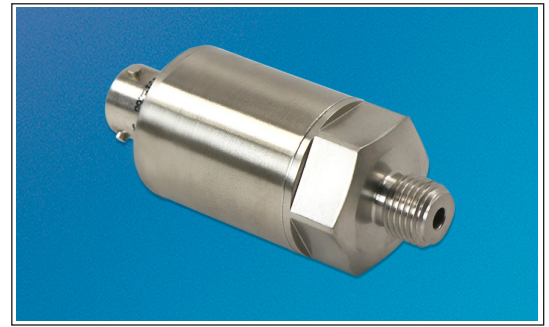


VOLTAGE OUTPUT DIGITALLY CORRECTED PRESSURE TRANSDUCER

IPTE-483-1000 Series

- Robust Construction
- High Accuracy
- Digitally Corrected
- Silicon on Silicon Integrated Sensor **VIS**[®]

The IPTE-483-1000 offers a high accuracy voltage output with a total error band of 0.25% FSO across the ultra-wide temperature range of -40°C to +150°C. Designed to measure liquid or gas pressure (with its all-welded, hermetic stainless steel construction), the transducer is ideal for road test, flight test and industrial sensing applications.



	4 Bar	10 Bar	20 Bar	
INPUT	Pressure Range	4 Bar	10 Bar	20 Bar
	Operational Mode	Absolute		
	Over Pressure	2 Times Rated Pressure		
	Burst Pressure	3 Times Rated Pressure		
	Pressure Media	Any Media Compatible With 316 SS Stainless Steel		
	Rated Electrical Excitation	8 - 28 VDC		
	Maximum Electrical Current	3.5 mA (Max.)		
OUTPUT	Output Impedance	250 Ohms (Max.)		
	Full Scale Output (FSO) (Net)	5 V \pm 0.025 VDC		
	Total Error Band (Including End Points)	0.25% FSO (Max.) (Combined Non-Linearity, Hysteresis, Repeatability and All Thermal Effects Included)		
	Response Time	>1 Millisecond (Typ.) @ 200 Hz Bandwidth		
	Residual Unbalance	0.5 VDC \pm 0.025 VDC		
ENVIRONMENTAL	Insulation Resistance	100 Megohm Min. @ 50 VDC		
	Operating Temperature Range	-40°F to +302°F (-40°C to +150°C)		
	Compensated Temperature Range	-40°F to +302°F (-40°C to +150°C)		
PHYSICAL	Humidity	100% Relative Humidity		
	Electrical Connection	PTIH-8-4P Connector or Equivalent		
	Weight	75 Grams		
	Pressure Sensing Principle	Fully Active Four Arm Wheatstone Bridge Dielectrically Isolated Silicon on Silicon		
Mounting Torque	75 Inch-Pounds (Max.)			

Note: Custom pressure ranges, accuracies and mechanical configurations available. Dimensions are in inches. Dimensions in parenthesis are in millimeters. All dimensions nominal. (C) Continuous development and refinement of our products may result in specification changes without notice. Copyright © 2018 Kulite Semiconductor Products, Inc. All Rights Reserved. Kulite miniature pressure transducers are intended for use in test and research and development programs and are not necessarily designed to be used in production applications. For products designed to be used in production programs, please consult the factory.