

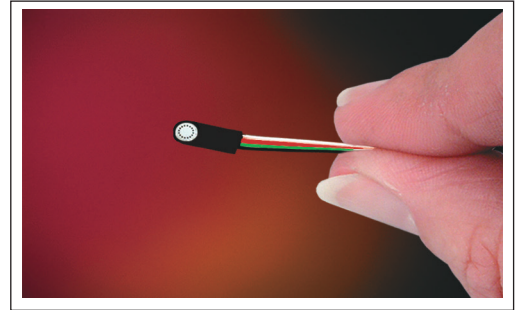


HIGH TEMPERATURE THIN LINE PRESSURE TRANSDUCER

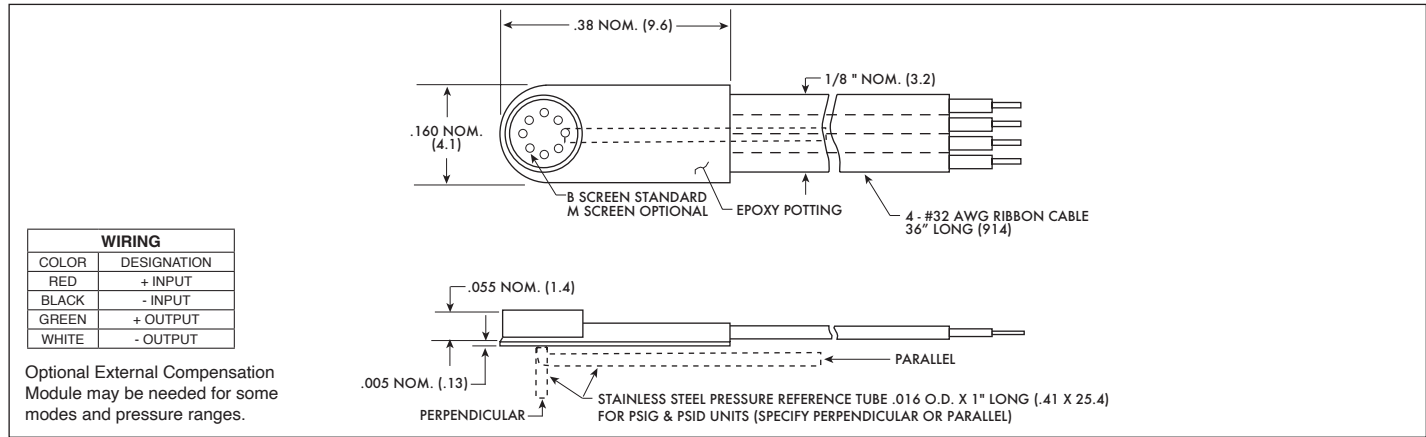
LE-080 SERIES LE-125 SERIES

- High Natural Frequency
- Excellent Stability
- Ideal For Flight Test & Wind Tunnel Applications
- High Temperature Capabilities -65°F To +450°F
- Silicon on Silicon Integrated Sensor **VIS**[®]

The LE Series demonstrates Kulite's ability to provide pressure transducers suited for adaptation into custom packages. These devices can be integrated into various test articles such as fan blades, engine nozzles of various types, etc. The features of these transducers include small foot print, high natural frequency, extreme resistance to vibration and shock, and wide temperature range.



Kulite recommends the [KSC Series](#) of signal conditioners to maximize the measurement capability of the LE-080 and LE-125 transducers.



INPUT	Pressure Range	0.35 5	0.7 10	1 15	1.7 25	3.5 50	7 100	17 250	35 BAR 500 PSI		
	Operational Mode	Absolute, Gage, Differential				Absolute, Gage, Sealed Gage, Differential		Absolute, Sealed Gage			
	Over Pressure	2 Times Rated Pressure									
	Burst Pressure	3 Times Rated Pressure									
	Pressure Media	All Nonconductive, Noncorrosive Liquids or Gases									
	Rated Electrical Excitation	10 VDC									
	Maximum Electrical Excitation	12 VDC									
	Input Impedance	1000 Ohms (Min.)									
OUTPUT	Output Impedance	1000 Ohms (Nom.)									
	Full Scale Output (FSO)	100 mV (Nom.)									
	Residual Unbalance	± 5 mV (Typ.)									
	Combined Non-Linearity, Hysteresis and Repeatability	± 0.1% FSO BFSL (Typ.), ± 0.5% FSO (Max.)									
	Resolution	Infinitesimal									
	Natural Frequency of Sensor Without Screen (KHz) (Typ.)	150	175	200	240	300	380	550	700		
ENVIRONMENTAL	Acceleration Sensitivity % FS/g Perpendicular	1.5x10 ⁻³	1.0x10 ⁻³	6.5x10 ⁻⁴	5.0x10 ⁻⁴	3.0x10 ⁻⁴	1.5x10 ⁻⁴	1.0x10 ⁻⁴	6.0x10 ⁻⁵		
	Insulation Resistance	100 Megohm Min. @ 50 VDC									
	Operating Temperature Range	-65°F to +450°F (-55°C to +235°C)									
	Compensated Temperature Range	+80°F to +450°F (+25°C to +235°C)									
	Thermal Zero Shift	± 3% FS/100°F (Typ.) (± 4% FS/100°F Max.)		± 2% FS/100°F (Typ.) (± 3% FS/100°F Max.)		± 1% FS/100°F (Typ.) (± 2% FS/100°F Max.)					
	Thermal Sensitivity Shift	± 3% /100°F (Typ.) (± 4% /100°F Max.)		± 2% /100°F (Typ.) (± 3% /100°F Max.)		± 1% /100°F (Typ.) (± 2% /100°F Max.)					
	Linear Vibration	20g Peak, Sine 10 to 2000 Hz									
	Mechanical Shock	20g Half Sine Wave 11 msec. Duration									
	PHYSICAL	Electrical Connection	4 Conductor 32 AWG Ribbon Cable 36" (914) Long								
		Weight	.2 Gram (Nom.) Excluding Module and Leads								
Pressure Sensing Principle		Fully Active Four Arm Wheatstone Bridge Dielectrically Isolated Silicon on Silicon									

Note: Custom pressure ranges, accuracies and mechanical configurations available. Dimensions are in inches. Dimensions in parenthesis are in millimeters. All dimensions nominal. (M) Continuous development and refinement of our products may result in specification changes without notice. Copyright © 2014 Kulite Semiconductor Products, Inc. All Rights Reserved. Kulite miniature pressure transducers are intended for use in test and research and development programs and are not necessarily designed to be used in production applications. For products designed to be used in production programs, please consult the factory.